

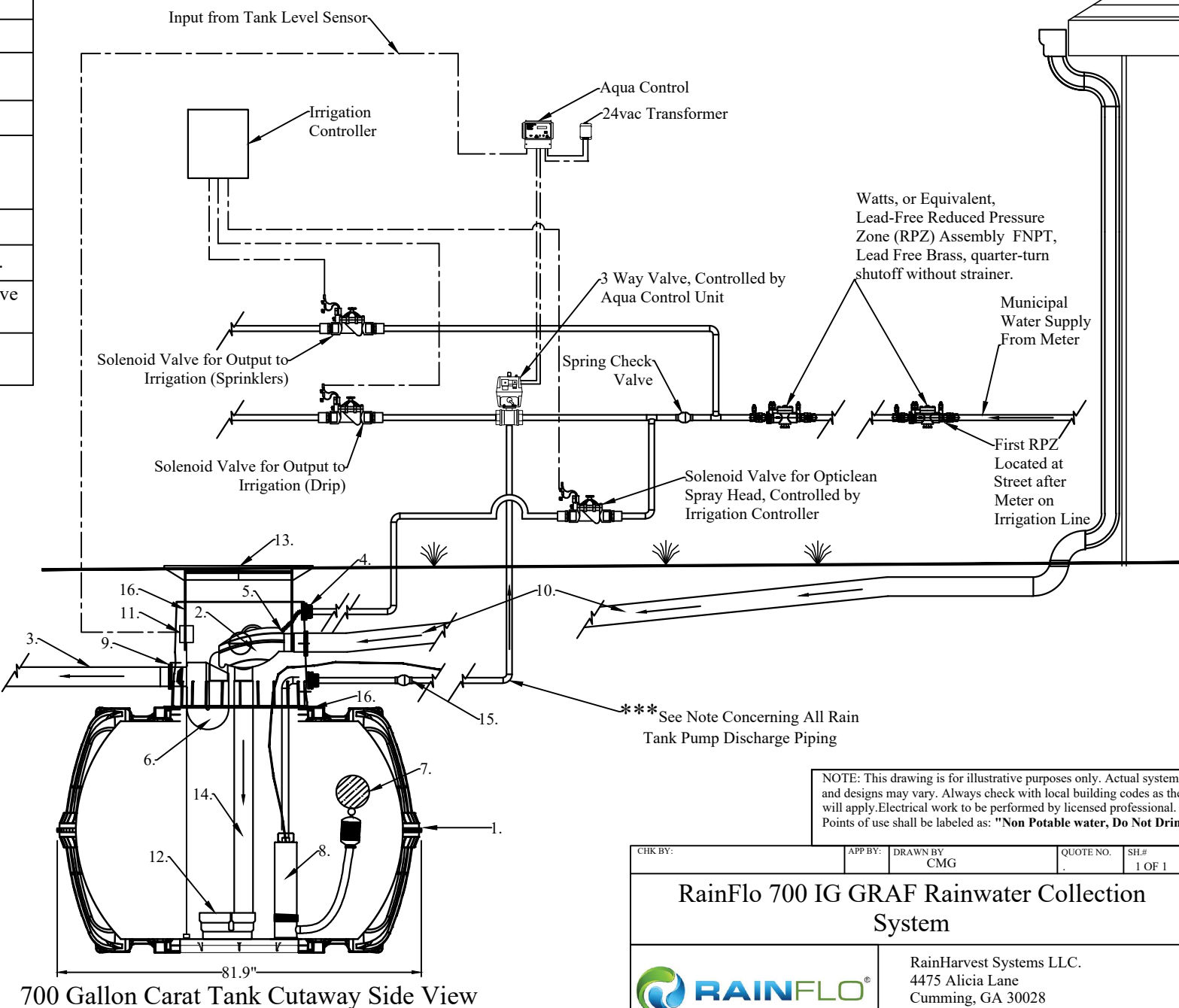
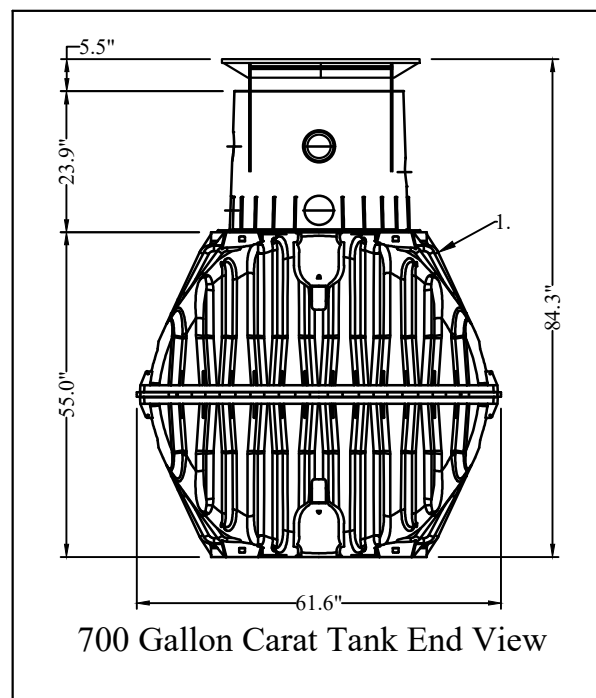
**GRAF Optimax High efficiency, Self-Cleaning, In Tank Filtration System:**

- \* Filter specially developed for rain water harvesting
- \* Low maintenance; self cleaning
- \* Only 6.5" height offset between inlet and outlet
- \* 0.35mm (.01") mesh filter
- \* Transparent cover for easy maintenance
- \* Optional Opticlean® Sprayhead
- \* Over 95% yield
- \* Self-cleaning filter
- \* Max. 3,750 sq. ft. with 4" connections
- \* Space saving filter technology integrated in the tank

\*\*\*

All rainfall/non-potable cistern water lines (pressure/non-pressure) shall be identified by continuous lettering on three inch (3") minimum width YELLOW tape with one inch black lettering bearing the continuous wording "Caution - Non-potable Cistern Water, Subsurface Irrigation Only" permanently affixed at five foot intervals atop all horizontal piping, laterals and mains. Identification tape shall extend to all valve boxes and/or vaults and exposed piping.

Legend	
1.	GRAF Carat S 700 Gallon Underground Tank.
2.	GRAF Optimax Pro Internal High efficiency, self-cleaning, In Tank filtration system.
3.	4" overflow drain to storm drain or other. Typically 4" PVC Sewer and Drain.
4.	1-1/4" Bulkhead Fitting for plumbing thru tank or riser assembly.
5.	Opticlean Sprayhead.
6.	Overflow siphon.
7.	GRAF Floating 1-1/4" Extractor with check valve.
8.	RainFlo 3/4 HP 115v Submersible Rainwater Pump High performance submersible rainwater pump with stainless steel base and 1-1/4" threaded inlet for use with a floating filter.
9.	4" Pipe Gasket.
10.	4" PVC from Roof Gutters and Downspouts (By Others).
11.	Tank Level Sensor for Aqua Control Device
12.	Calming inlet to prevent the disturbance of the fine sediment layer at bottom of tank.
13.	Adjustable Riser and Childproof Lid.
14.	4" PVC Pipe for Connection to Calming Inlet.
15.	Pump Output Line to Irrigation with Check Valve (By Others).
16.	Dome and Shaft Seal Gaskets.



Tank height should be set and plumbing pitched to best utilize existing grade. A site assessment should be done prior to installation to determine the optimum levels for filter and plumbing so as to provide positive drainage to tank and stormwater overflows.

**USER'S Responsibility**

Untreated Rainwater is NON-Potable water. Warning do not drink water supplied from RainHarvest Systems rainwater systems and related equipment. We will be happy to offer suggestions on the use of our various products either by way of printed material or through direct contact with RainHarvest Systems team members. However, since we have no control over the use of our products once they are shipped, NO WARRANTY WHETHER OF MERCHANTABILITY, FITNESS FOR PURPOSE, OR OTHERWISE is made beyond the repair, replacement, or refund of purchase price at the sole discretion of RainHarvest Systems. Users shall determine the suitability of the product for the intended application before using, and the users assume all risk and liability whatsoever in connection therewith, regardless of any team members suggestions or statements as to the application or construction. In no event shall any remedy exceed the purchase price of the product. Consult local building codes for the system use.