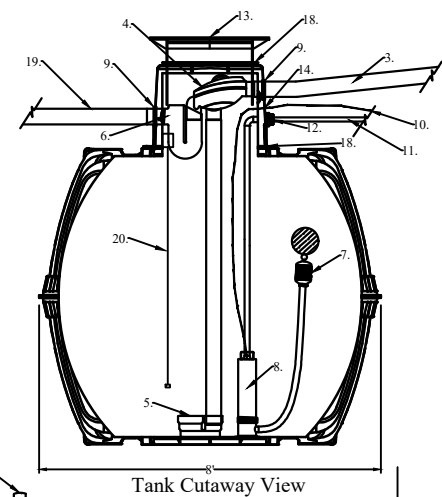
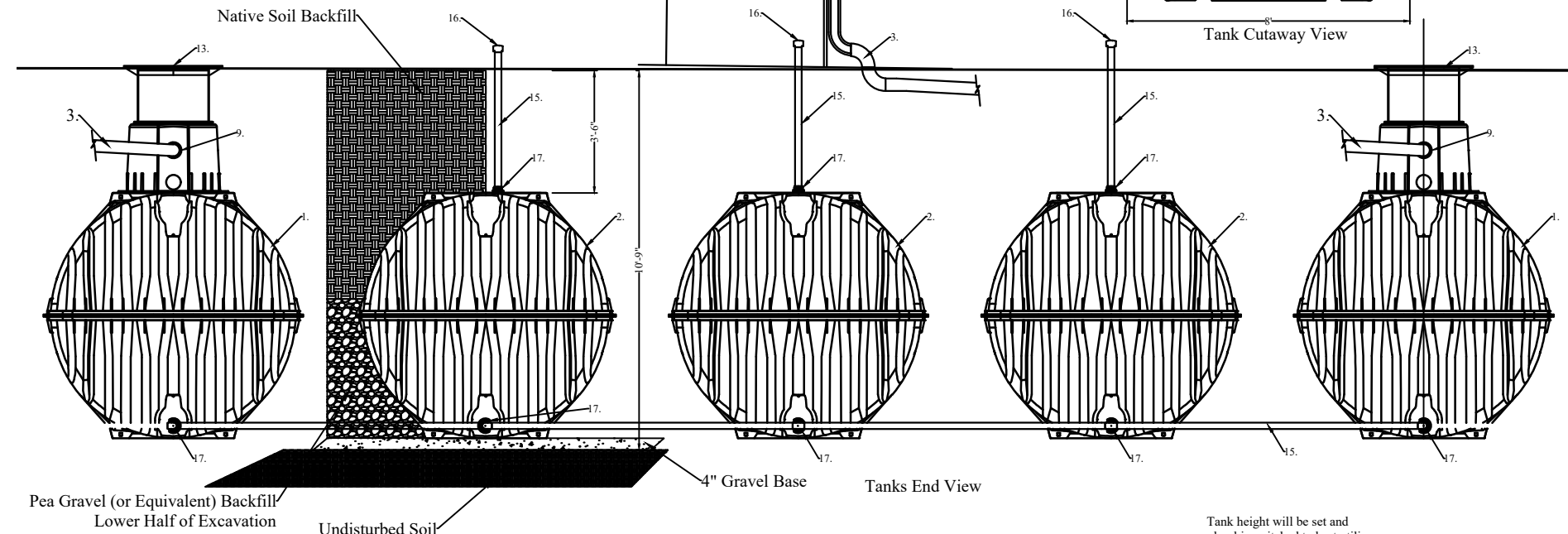
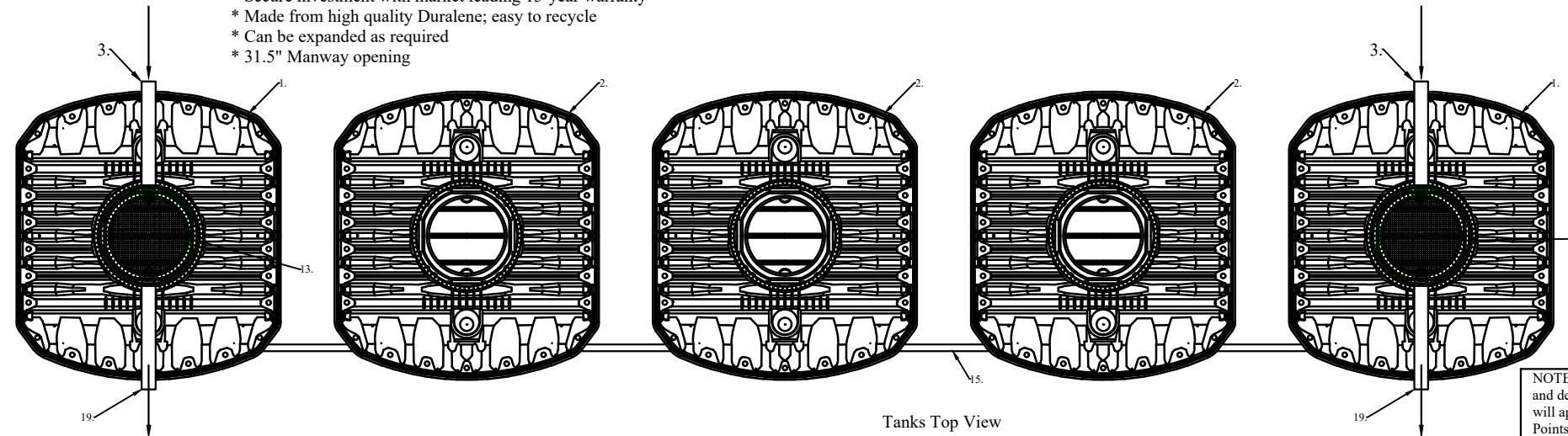
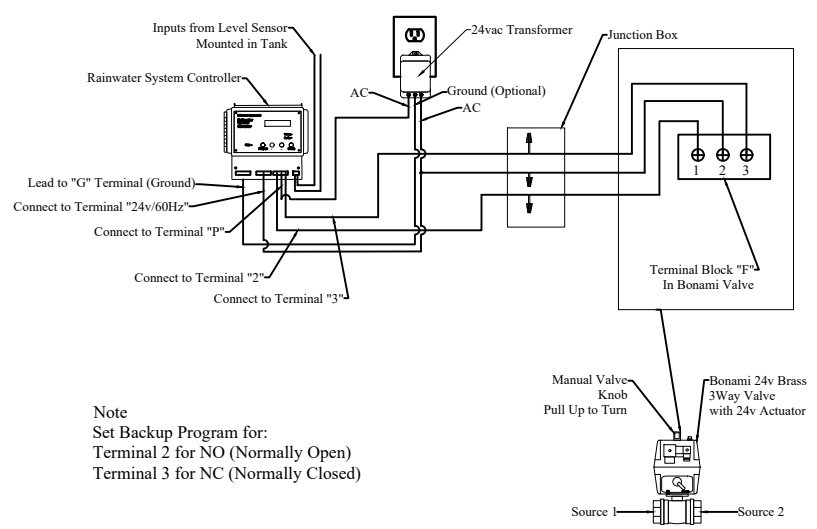


**USER'S Responsibility**  
 Untreated Rainwater is NON-Potable water. Warning do not drink water supplied from RainHarvest Systems rainwater systems and related equipment. We will be happy to offer suggestions on the use of our various products either by way of printed material or through direct contact with RainHarvest Systems team members. However, since we have no control over the use of our products once they are shipped, NO WARRANTY WHETHER OF MERCHANTABILITY, FITNESS FOR PURPOSE, OR OTHERWISE is made beyond the repair, replacement, or refund of purchase price at the sole discretion of RainHarvest Systems. Users shall determine the suitability of the product for the intended application before using, and the users assume all risk and liability whatsoever in connection therewith, regardless of any team members suggestions or statements as to the application or construction. In no event shall any remedy exceed the purchase price of the product. Consult local building codes for the system use.



Legend A	
1.	GRAF Carat S 1700 Gallon Underground Tank (1)
2.	GRAF Carat S 1700 Gallon Underground Extension Tank (3)
3.	4" Inlet From Roof Drains and Gutters
4.	GRAF Optimax Pro Internal High efficiency, self-cleaning, In Tank filtration system.
5.	RainMaster Calming Inlet
6.	Overflow siphon with mosquito and rodent stop
7.	GRAF Floating 1-1/4" Extractor with check valve
8.	RainMaster 1.25 Submersible Pump.
9.	4" RainMaster Gasket (2)
10.	Power Supply for Pump
11.	1 1/4" Schedule 40 PVC Pump output to Use
12.	1-1/4" Bulkhead Fitting
13.	Adjustable Riser and Childproof Lid
14.	3/4" Liquidtight Flexible Nonmetallic Conduit and Straight Fitting Outside of Tank
15.	2" PVC Tank Connection Line and Vent
16.	2" Screened Tank Vent
17.	2" Bulkhead Fitting
18.	Dome and Shaft Seal Gasket Locations
19.	4" Overflow to Storm Drain / Other
20.	Water Level Sensor for Aqua Control Unit

Tank height will be set and plumbing pitched to best utilize existing grade. A site assessment should be done prior to installation to determine the optimum levels for filter and plumbing so as to provide positive drainage to tank and stormwater overflows.



NOTE: This drawing is for illustrative purposes only. Actual systems and designs may vary. Always check with local building codes as they will apply. Electrical work to be performed by licensed professional. Points of use shall be labeled as: "Non Potable water, Do Not Drink!"

CHK BY:	APP BY:	DRAWN BY:	QUOTE NO.:	SH.#:
		CMG		1 OF 1
<b>RainFlo 8500 IG Rainwater Collection System and Aqua Control Back Up System</b>				
		RainHarvest Systems LLC. 4475 Alicia Lane Cumming, GA 30028 Tel: 770-889-2533 Fax: 770-889-2577		

# Aqua Control Detail