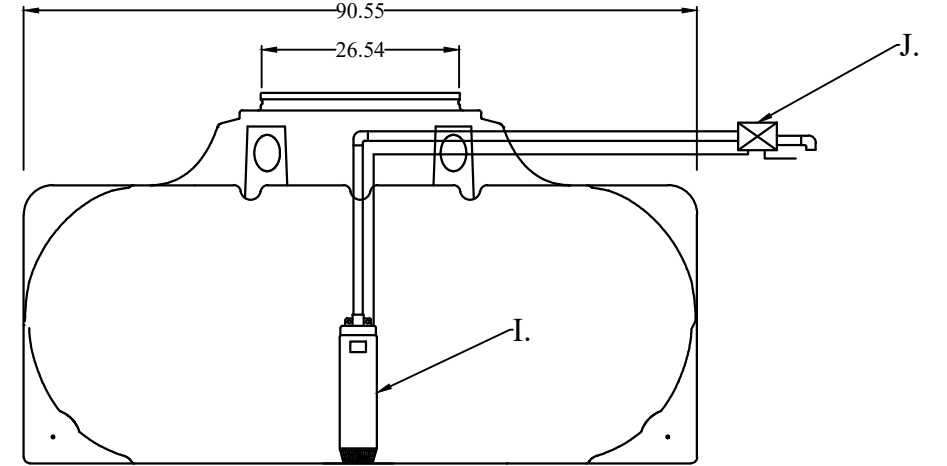
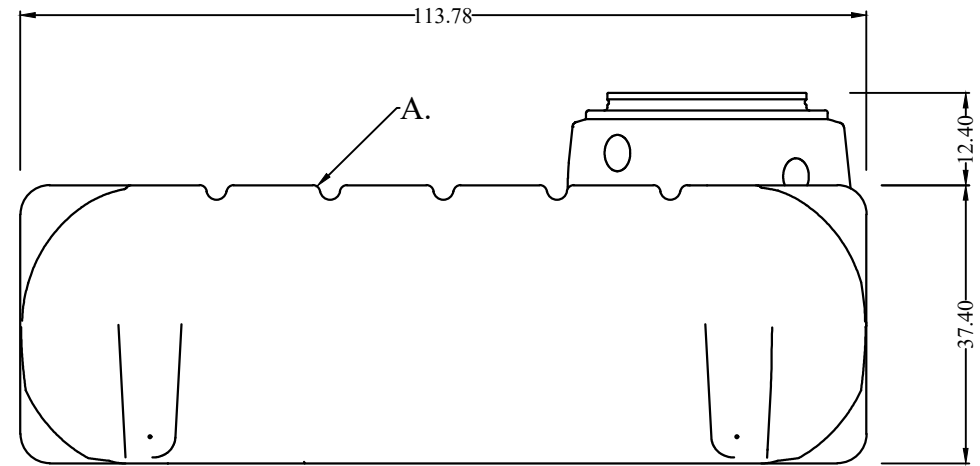
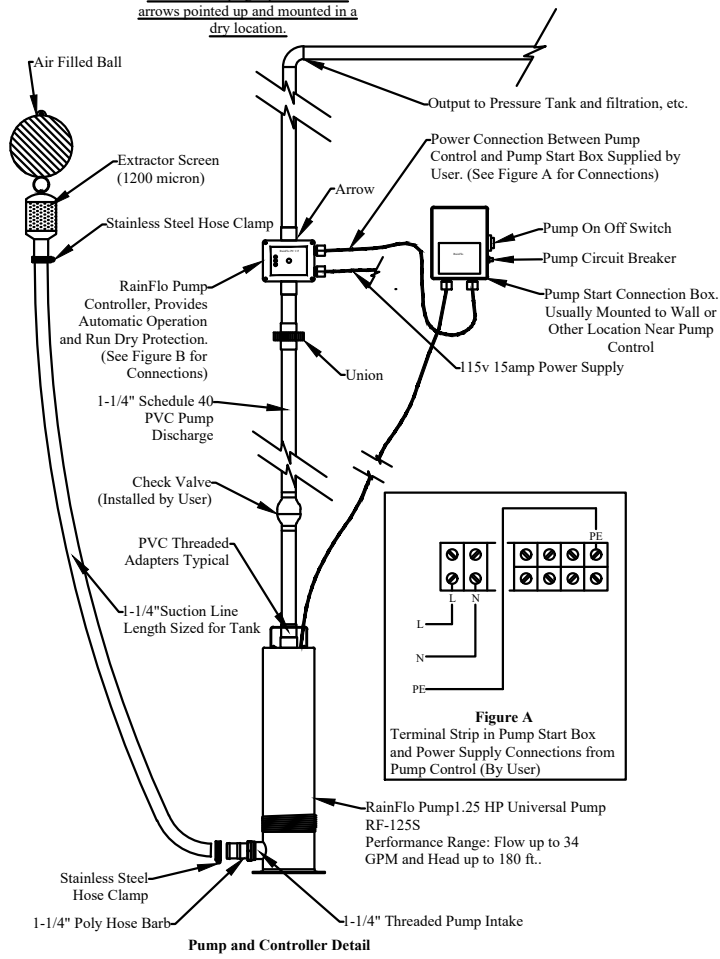
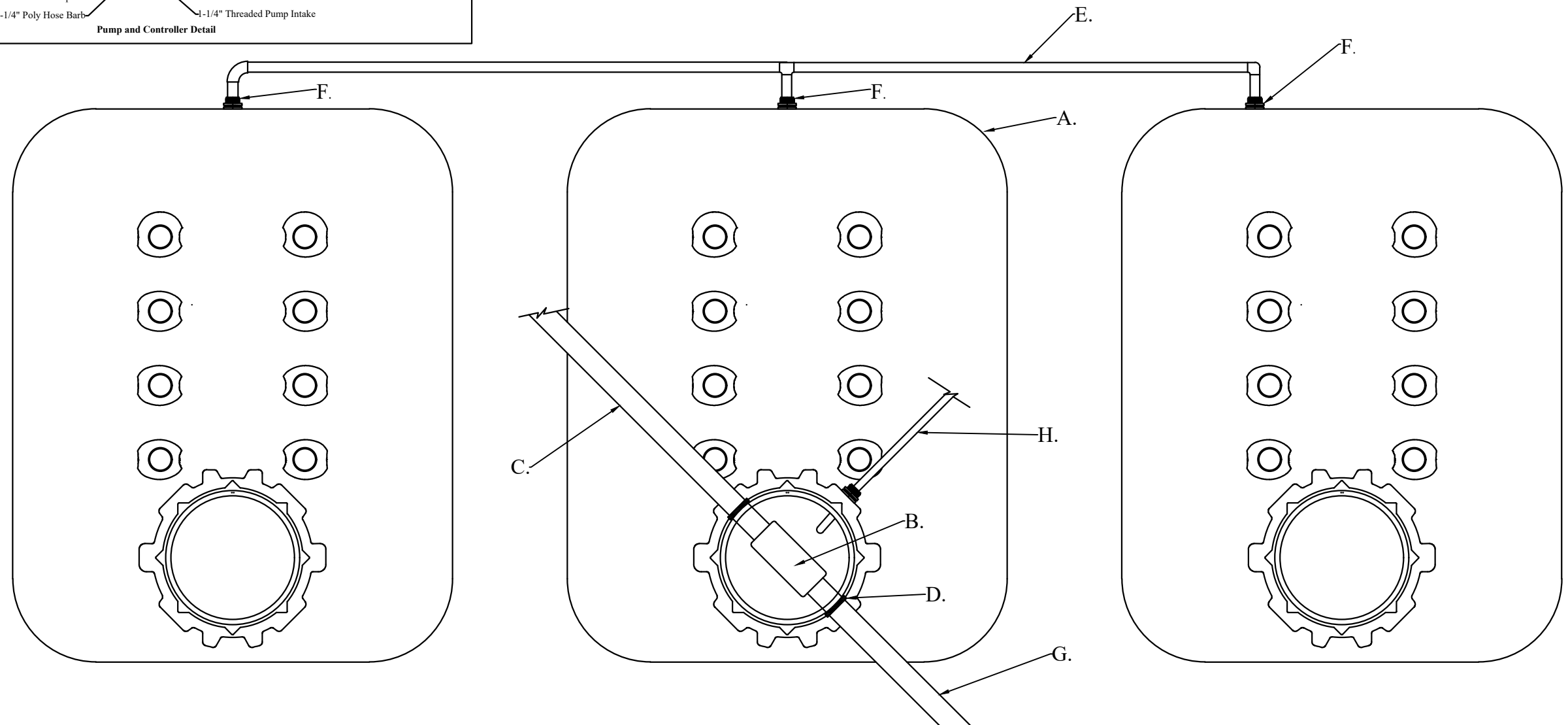


Note: RainFlo Pump Control should be mounted in upright position with arrows pointed up and mounted in a dry location.



USER'S Responsibility
Rainwater supplied by RainHarvest Systems is NON-Potable water. Warning do not drink water supplied from RainHarvest Systems rainwater systems and related equipment. We will be happy to offer suggestions on the use of our various products either by way of printed material or through direct contact with RainHarvest Systems team members. However, since we have no control over the use of our products once they are shipped, **NO WARRANTY WEATHER OF MERCHANTABILITY, FITNESS FOR PURPOSE, OR OTHERWISE** is made beyond the repair, replacement, or refund of purchase price at the sole discretion of RainHarvest Systems. Users shall determine the suitability of the product for the intended application before using, and the users assume all risk and liability whatsoever in connection therewith, regardless of any team members suggestions or statements as to the application or construction. In no event of the purchase price of the product. Consult local building codes for the system use.

Graf Platin Multi Tank Systems	
A.	GRAF Platin 1350 Gallon Underground Shallow Burial Tank with Access Riser Shaft and Lid
B.	GRAF Mini Max Internal Filter
C.	4" Schedule 40 PVC Pipe From Roof
D.	4" Serco Muti Tite Gasket
E.	2" Schedule 40 PVC Tank Balancing Line
F.	2" Banjo Bulkhead Fitting
G.	4" Schedule 40 PVC Pipe Overflow
H.	1-1/4" PVC Pump Output Line
I.	RainFlo Submersible Pump
J.	RainFlo PC115 Pump Control



NOTE: This drawing is for illustrative purposes only. Actual systems and designs may vary. Always check with local building codes as they will apply. Electrical work to be performed by licensed professional. Points of use shall be labeled as: "Non Potable water, Do Not Drink"

CHK BY:	APP BY:	DRAWN BY: CMG	QUOT NO.:	SH#: 1 OF 1
RainFlo Rainwater Collection System with Graf Platin 1350 Gallon Tank				
		RainHarvest Systems LLC. 4475 Alicia Lane Cumming, GA 30028 Tel: 770-889-2533 Fax: 770-889-2577		