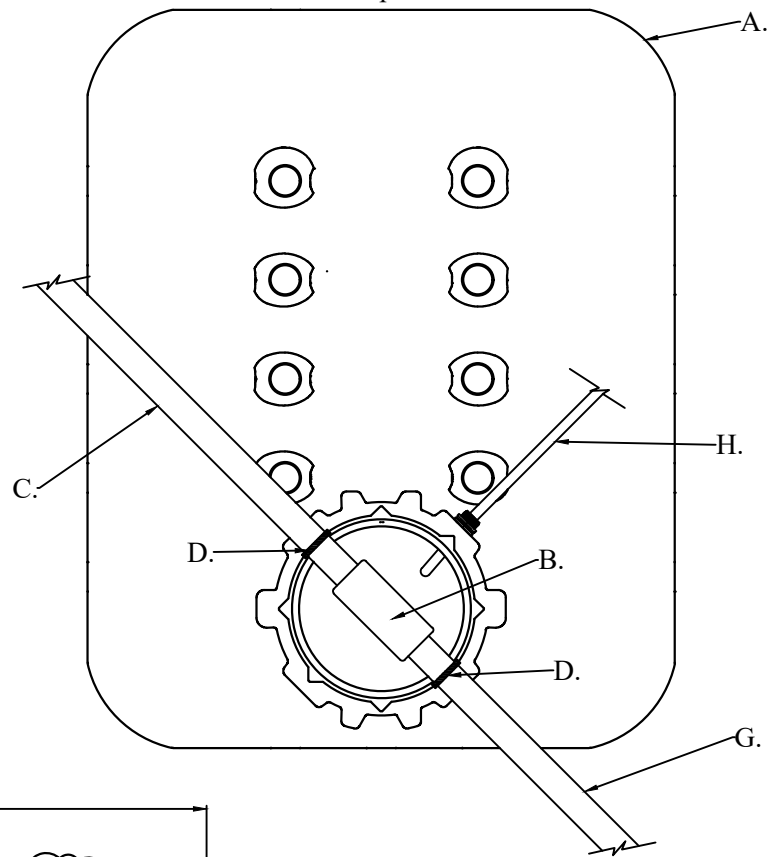
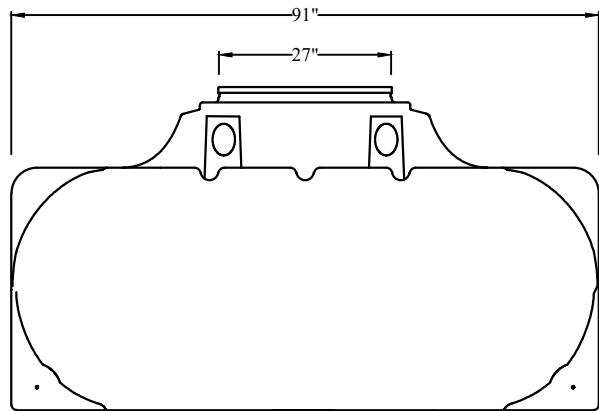


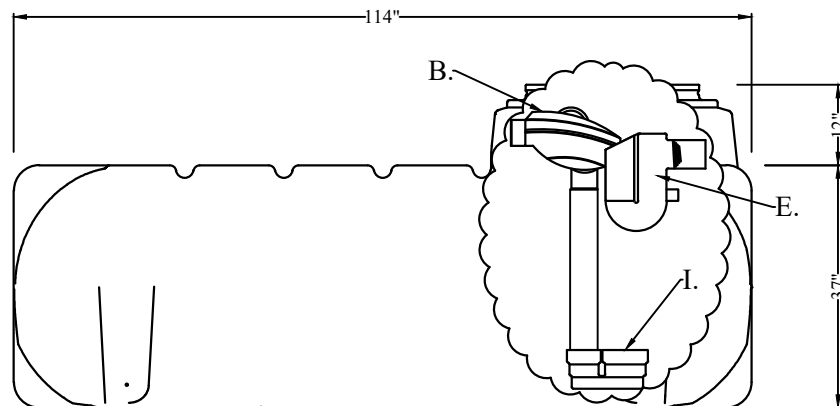
Graf Platin 1350 Gallon Tank
Top View



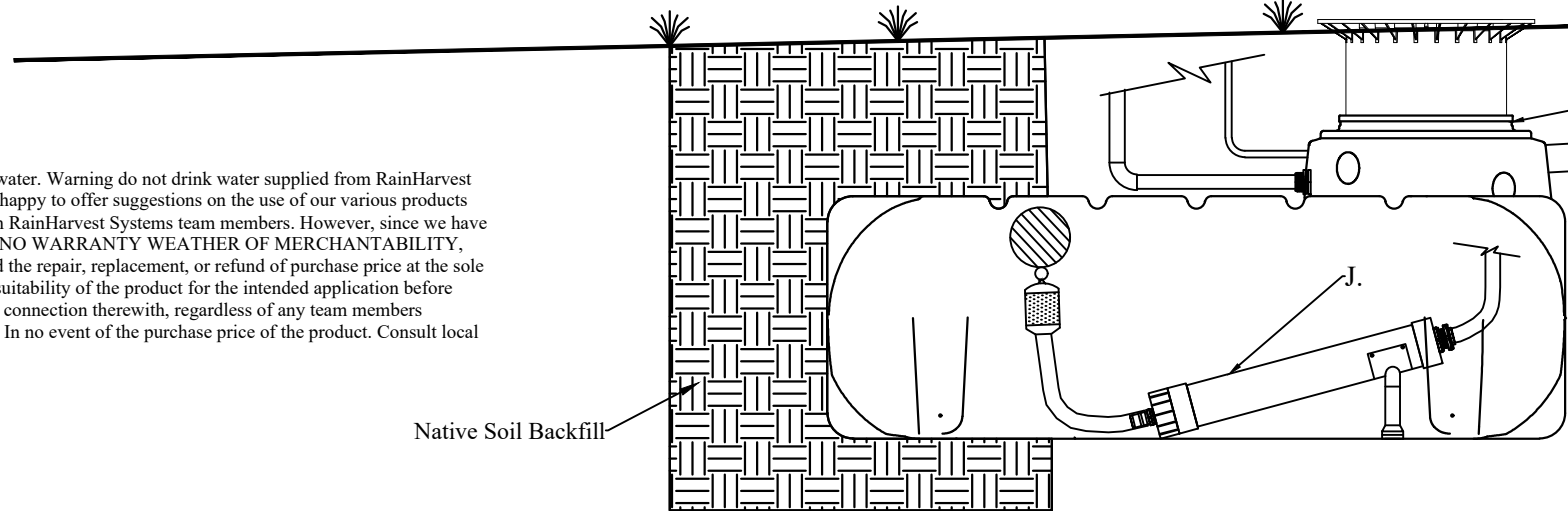
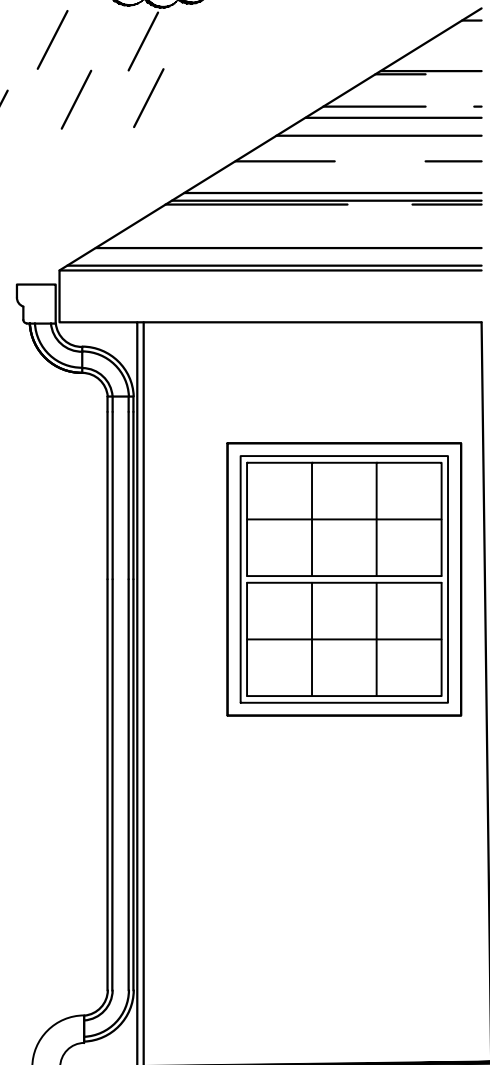
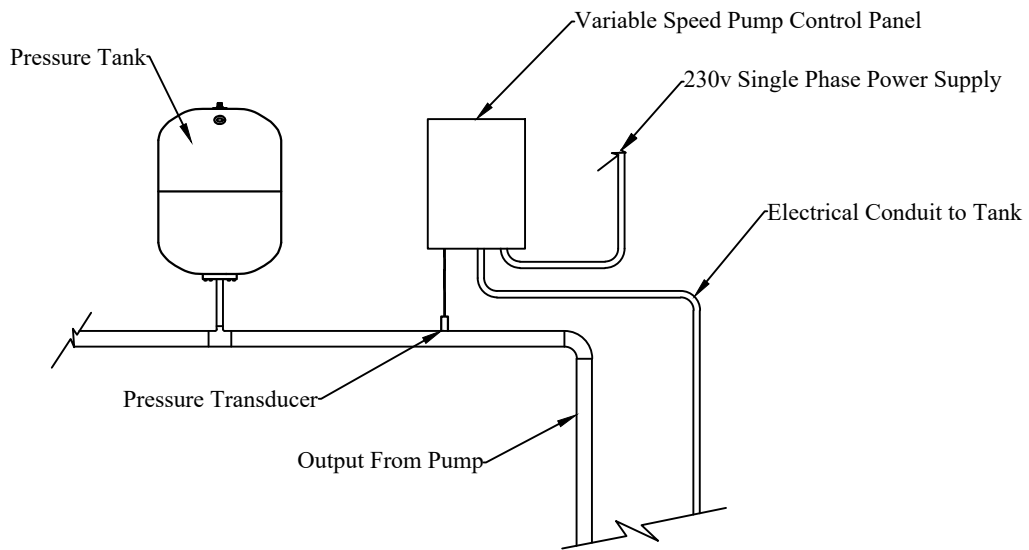
Legend	
A.	GRAF Platin 1350 Gallon Underground Tank with Adjustable Access Riser Shaft and Lid
B.	GRAF Minimax Pro Internal Filter
C.	4" Schedule 40 PVC Pipe From Roof
D.	Graf 4" Pipe Gasket
E.	Overflow Siphon
F.	Bulkhead Fitting for Pipe Connections to Tank
G.	4" Schedule 40 PVC Pipe Overflow
H.	Pump Output Line
I.	Calming Inlet
J.	RainFlo FI-1800 Pump and Housing and Floating Extractor



Graf Platin 1350 Gallon Tank
End View



Graf Platin 1350 Gallon Tank
Side View with Minimax
Filter and Overflow



Native Soil Backfill

USER'S Responsibility

Rainwater supplied by RainHarvest Systems is NON-Potable water. Warning do not drink water supplied from RainHarvest Systems rainwater systems and related equipment. We will be happy to offer suggestions on the use of our various products either by way of printed material or through direct contact with RainHarvest Systems team members. However, since we have no control over the use of our products once they are shipped, NO WARRANTY WEATHER OF MERCHANTABILITY, FITNESS FOR PURPOSE, OR OTHERWISE is made beyond the repair, replacement, or refund of purchase price at the sole discretion of RainHarvest Systems. Users shall determine the suitability of the product for the intended application before using, and the users assume all risk and liability whatsoever in connection therewith, regardless of any team members suggestions or statements as to the application or construction. In no event of the purchase price of the product. Consult local building codes for the system use.

NOTE: This drawing is for illustrative purposes only. Actual systems and designs may vary. Always check with local building codes as they will apply. Electrical work to be performed by licensed professional. Points of use shall be labeled as: "Non Potable water, Do Not Drink!"

CHK BY:	APP BY:	DRAWN BY: CMG	QUOTE NO.:	SH.#: 1 OF 1
---------	---------	------------------	------------	-----------------

RainFlo Rainwater Collection System with
Graf Platin 1350 Gallon Tank



RainHarvest Systems LLC.
4475 Alicia Lane
Cumming, GA 30028
Tel: 770-889-2533 Fax: 770-889-2577