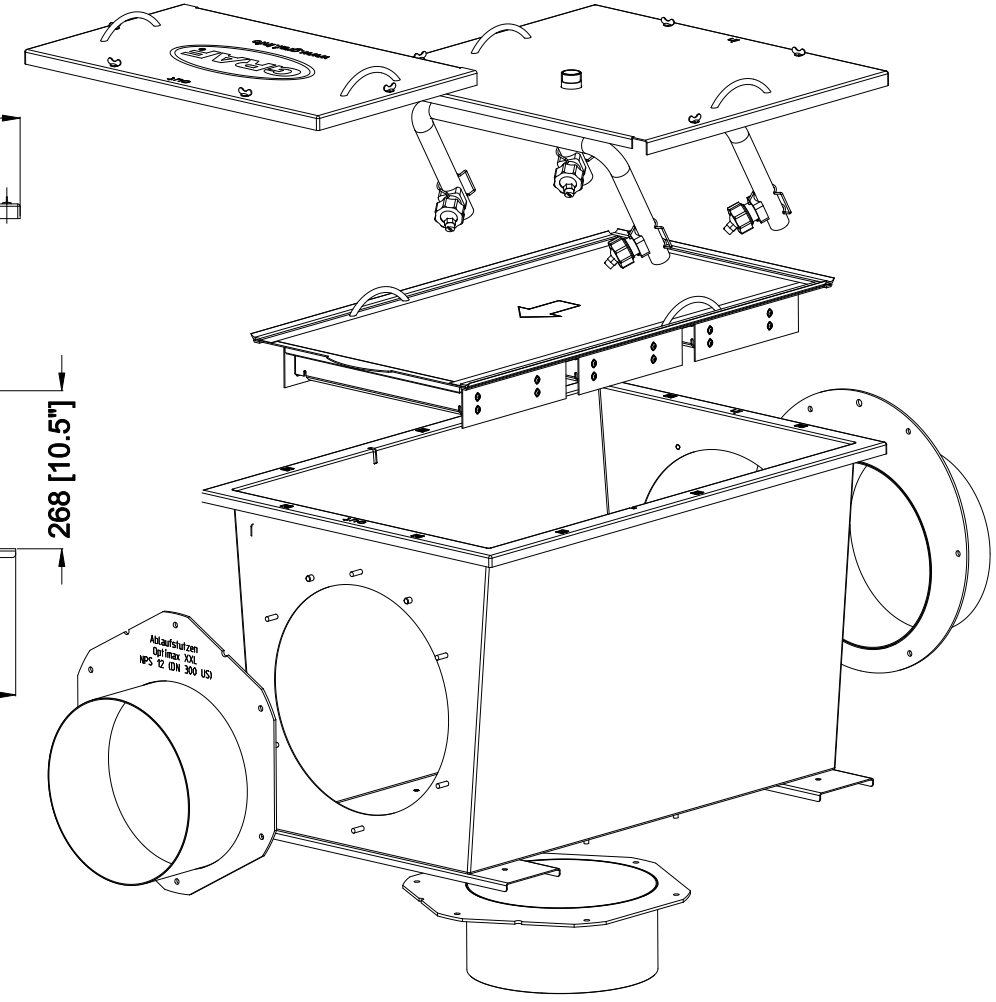
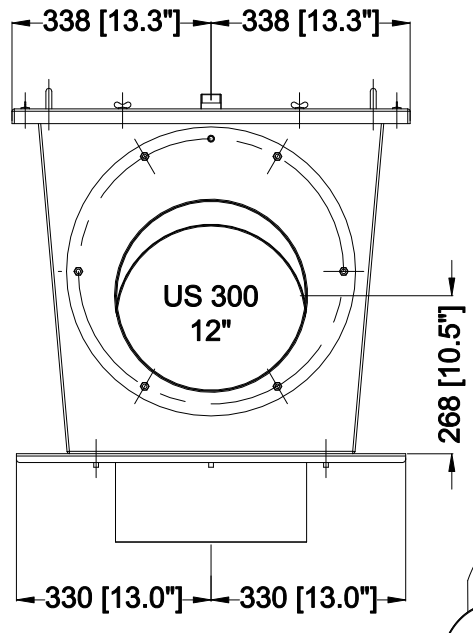
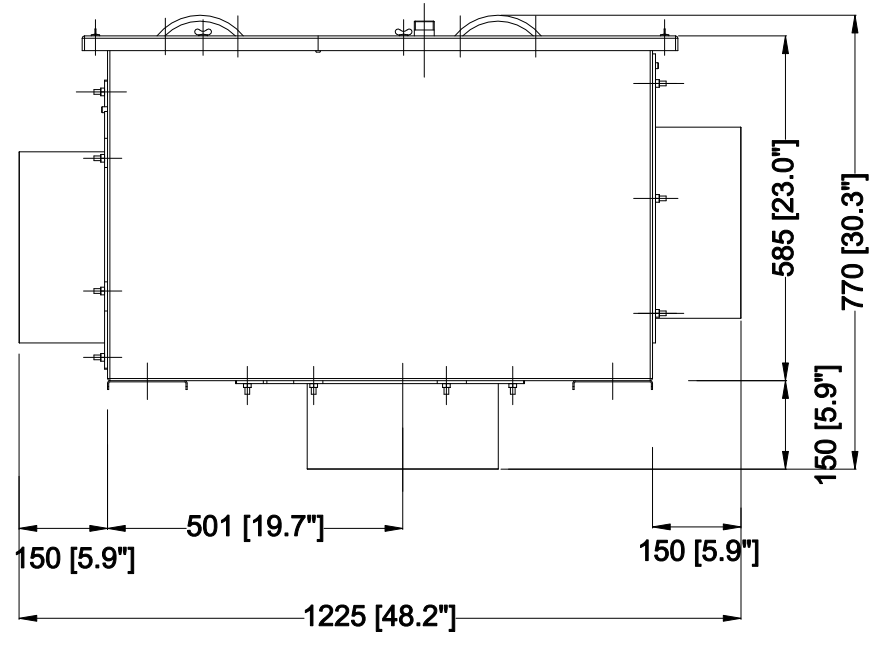
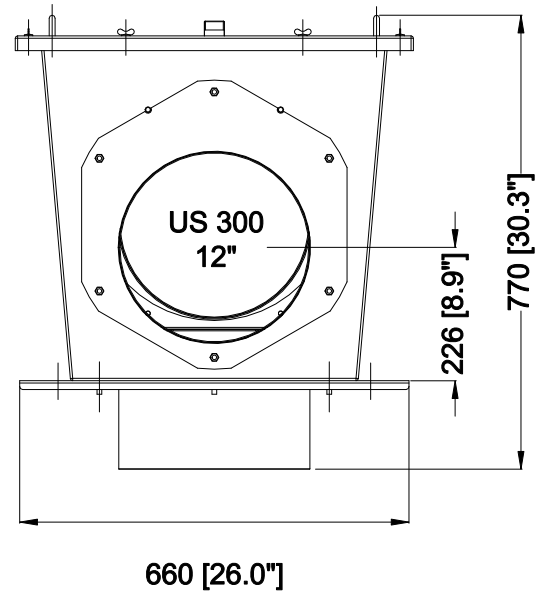


A-A



NOTE: This drawing is for illustrative purposes only. Actual systems and designs may vary. Always check with local building codes as they will apply. Electrical work to be performed by licensed professional. Points of use shall be labeled as: "Non Potable water, Do Not Drink!"

|         |         |                  |            |                |
|---------|---------|------------------|------------|----------------|
| CHK BY: | APP BY: | DRAWN BY:<br>CMG | QUOTE NO.: | SH.#<br>1 OF 1 |
|---------|---------|------------------|------------|----------------|

### Graf XXL Rainwater Filter 12"

RainHarvest Systems LLC.  
4475 Alicia Lane  
Cumming, GA 30028  
Tel: 770-889-2533 Fax: 770-889-2577