

Rakks®

Rangine Corporation
330 Reservoir Street
Needham, Ma. 02494

Tel: 781-455-8700 Fax: 781-455-8702

DATE: 10-30-09

BY: KT

RAKKS DWG. NO.:

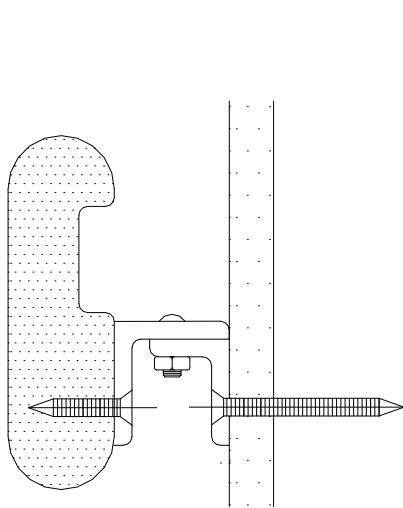
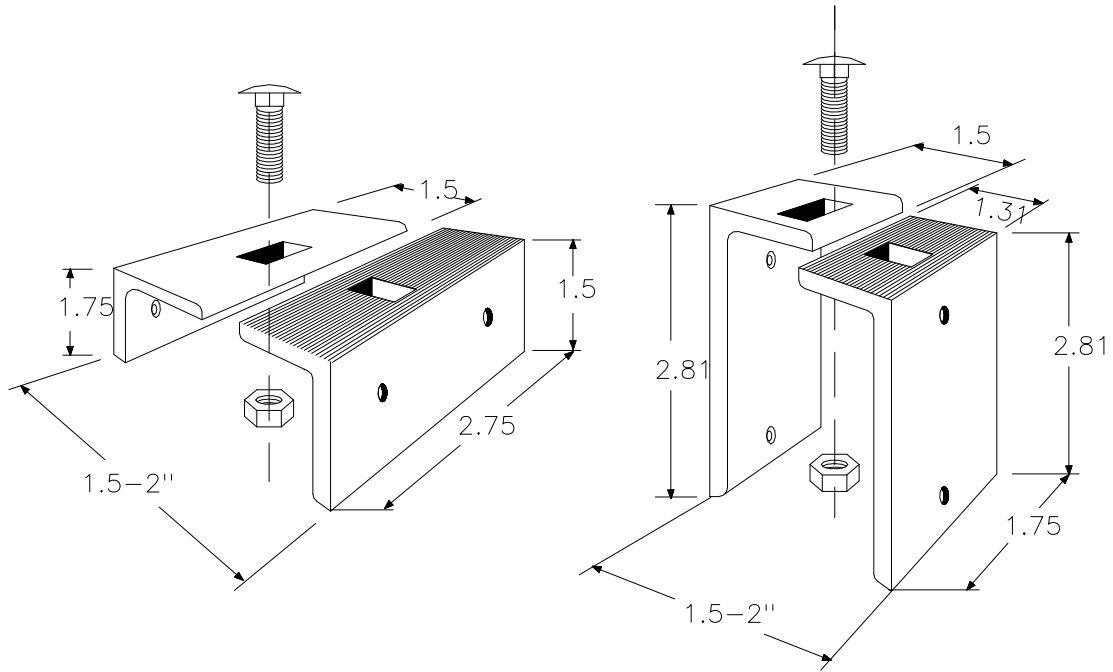
JOB NAME:

Handrail 203 & 303
Composites

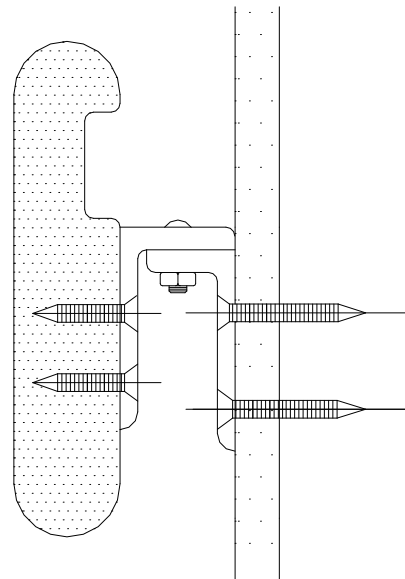
PAGE NO.: _____ OF _____

PART NO.:

VERSION:



303 HR Bracket



203 HR Bracket