

Rakks®

Rangine Corporation
330 Reservoir Street
Needham, Ma. 02494

Tel: 781-455-8700 Fax: 781-455-8702

DATE:
5-28-08

BY:
KT

RAKKS DWG. NO.:

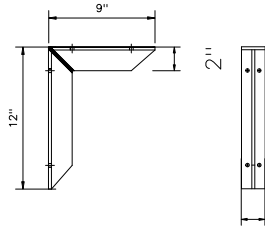
JOB NAME:

Counter Brackets
Surface Mounted

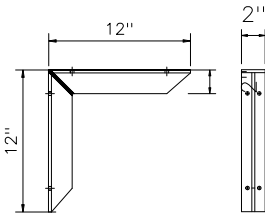
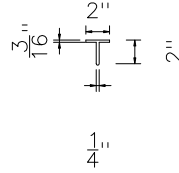
PAGE NO.:
____ OF ____

PART NO.:

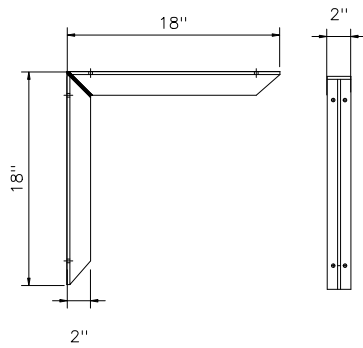
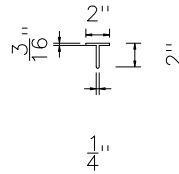
VERSION:



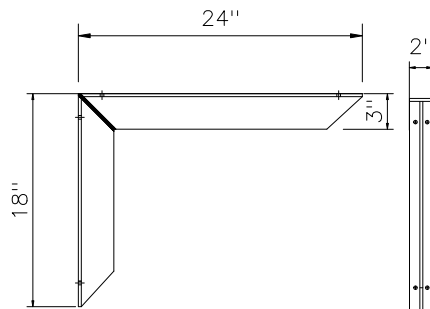
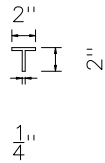
EH-1209 2"



EH-1212 2"



EH-1818 2"



EH-1824 2"

