

ALL SPRING MOUNTING PADS MUST BE FLUSH WITH JAMBS. FIELD CHECK AND VERIFY ALL DETAILS AND DIMENSIONS. JAMBS, HEADER, JAMB EXTENSIONS AND PADS (AS SHOWN) BY OTHER THAN DOOR CONTRACTOR. THIS DRAWING WAS AS COMPLETE AND FACTUAL AS POSSIBLE AT THE TIME IS WAS PRINTED. WE DO HOWEVER, RESERVE THE RIGHT TO MAKE PRODUCT CHANGES IN SPECIFICATIONS AND AVAILABILITY WITHOUT NOTICE.

JOB NAME: FF175

LOCATION:

DISTRIBUTOR: RAYNOR DEALVILLE- TESTING

CONTRACTOR:

ARCHITECT:

CHECKED BY:

DATE: 7/8/2019

SHEET  
8 OF 8

DRAWING NUMBER  
**1610516 L**

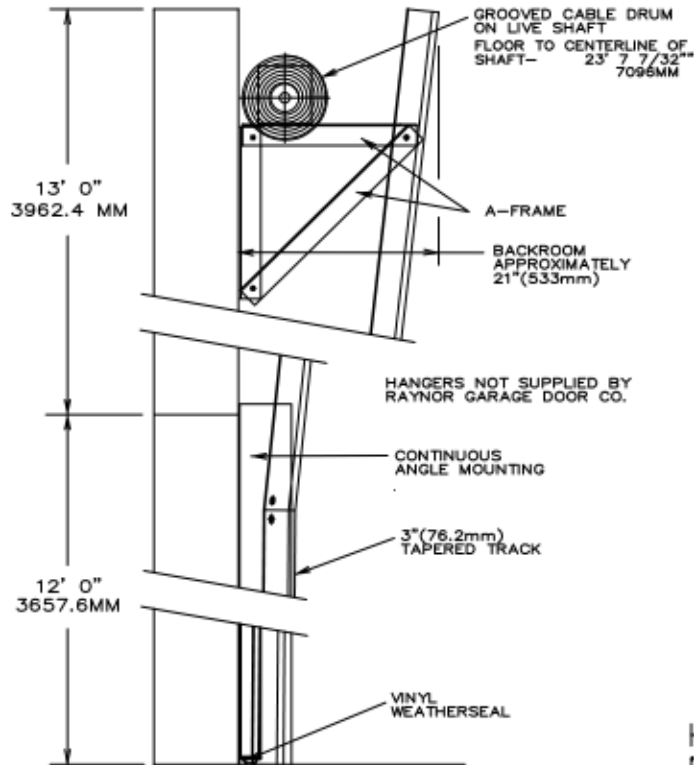
DRAWING(S) MUST BE APPROVED AND RETURNED TO DOOR DISTRIBUTOR AND FORWARDED TO RAYNOR GARAGE DOORS BEFORE ORDER WILL BE ENTERED INTO PRODUCTION. SHOP DRAWING FAX NUMBER 800/835-5483.

RAYNOR ORDER NUMBER	QTY	OPENING		ACTUAL		MODEL	JAMB			MOUNTING	LOCK	
		WIDTH	HEIGHT	WIDTH	HEIGHT		W	S	M			
	1	12' 0"	12' 0"	12'2"	12' 0 3/4"	FF175		X		X		GML
		3657.6MM	3657.6MM	3708.4 MM	3676.65MM							

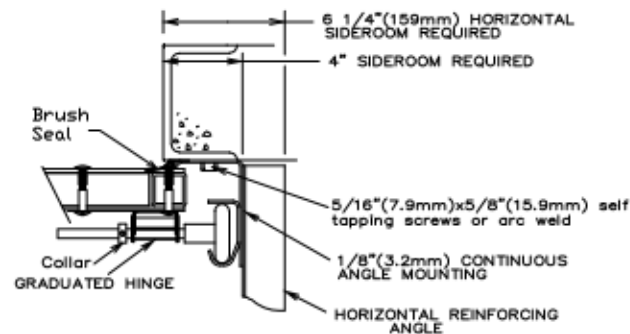
DOOR TAG



PROPOSAL  
DRAWING



SECTION THRU OPENING



JAMB DETAIL

