

ALL SPRING MOUNTING PADS MUST BE FLUSH WITH JAMBS. FIELD CHECK AND VERIFY ALL DETAILS AND DIMENSIONS. JAMBS, HEADER, JAMB EXTENSIONS AND PADS (AS SHOWN) BY OTHER THAN DOOR CONTRACTOR. THIS DRAWING WAS AS COMPLETE AND FACTUAL AS POSSIBLE AT THE TIME IS WAS PRINTED. WE DO HOWEVER, RESERVE THE RIGHT TO MAKE PRODUCT CHANGES IN SPECIFICATIONS AND AVAILABILITY WITHOUT NOTICE.

JOB NAME: TC200

LOCATION:

DISTRIBUTOR: RAYNOR DEALVILLE- TESTING

CONTRACTOR:

ARCHITECT:

CHECKED BY:

SHEET
10 OF 10

DRAWING
NUMBER

1610516 A

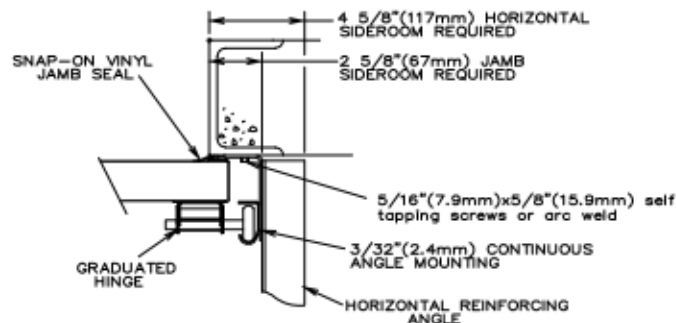
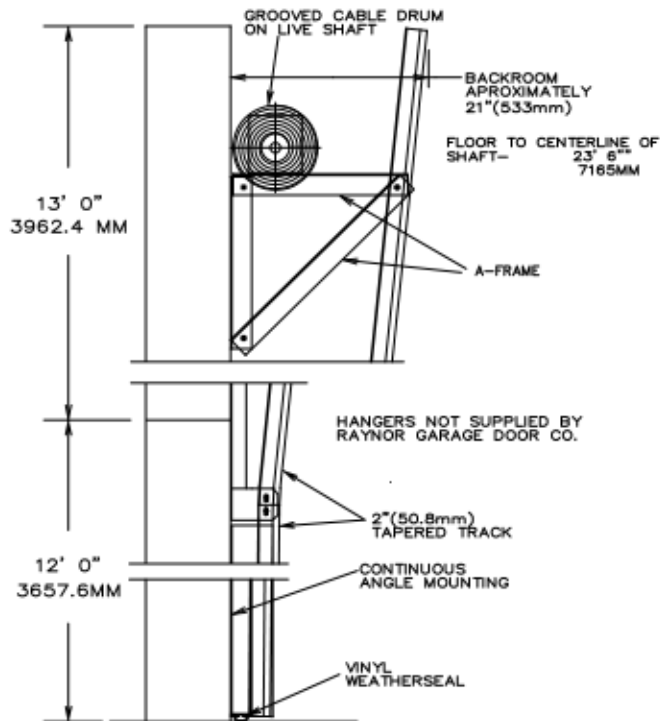
DATE: 7/8/2019

DOOR TAG



PROPOSAL
DRAWING

RAYNOR ORDER NUMBER	QTY	OPENING		ACTUAL		MODEL	JAMB			MOUNTING		LOCK
		WIDTH	HEIGHT	WIDTH	HEIGHT		W	S	M	ANGLE	BRKT	
	1	12' 0"	12' 0"	12'2"	12' 0 3/4"	TC200		X		X		GML
		3657.6MM	3657.6MM	3708.4 MM	3676.65MM							



13' 0"
3962.4 MM

12' 0"
3657.6MM

BACKROOM
APROXIMATELY
21"(533mm)

FLOOR TO CENTERLINE OF
SHAFT-
23' 6"
7165MM

HANGERS NOT SUPPLIED BY
RAYNOR GARAGE DOOR CO.

2"(50.8mm)
TAPERED TRACK

CONTINUOUS
ANGLE MOUNTING

VINYL
WEATHERSEAL

4 5/8"(117mm) HORIZONTAL
SIDEROOM REQUIRED

2 5/8"(67mm) JAMB
SIDEROOM REQUIRED

5/16"(7.9mm)x5/8"(15.9mm) self
tapping screws or arc weld

3/32"(2.4mm) CONTINUOUS
ANGLE MOUNTING

HORIZONTAL REINFORCING
ANGLE