

ALL SPRING MOUNTING PADS MUST BE FLUSH WITH JAMBS. FIELD CHECK AND VERIFY ALL DETAILS AND DIMENSIONS. JAMBS, HEADER, JAMB EXTENSIONS AND PADS (AS SHOWN) BY OTHER THAN DOOR CONTRACTOR. THIS DRAWING WAS AS COMPLETE AND FACTUAL AS POSSIBLE AT THE TIME IS WAS PRINTED. WE DO HOWEVER, RESERVE THE RIGHT TO MAKE PRODUCT CHANGES IN SPECIFICATIONS AND AVAILABILITY WITHOUT NOTICE.

JOB NAME: TM220

LOCATION:

DISTRIBUTOR: RAYNOR DEALVILLE- TESTING

CONTRACTOR:

ARCHITECT:

CHECKED BY:

SHEET  
10 OF 10

DRAWING  
NUMBER

**1610516 C**

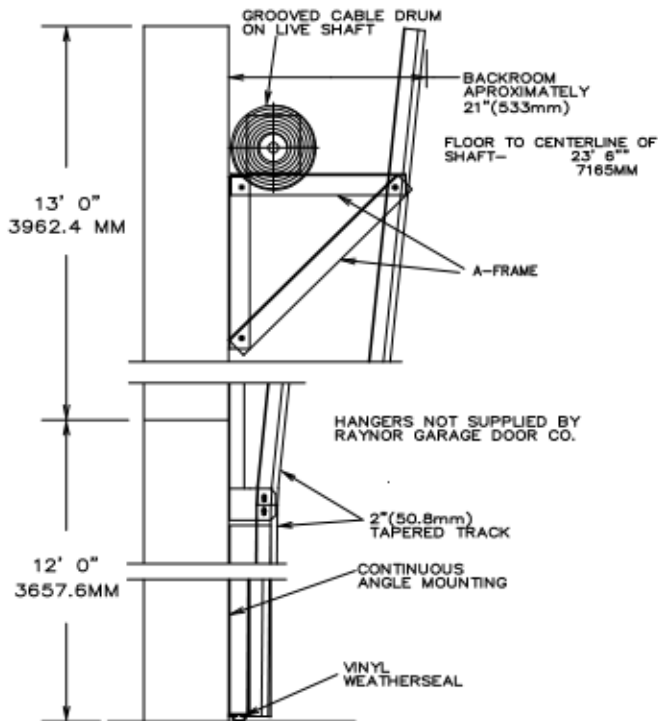
DATE: 7/8/2019

DOOR TAG

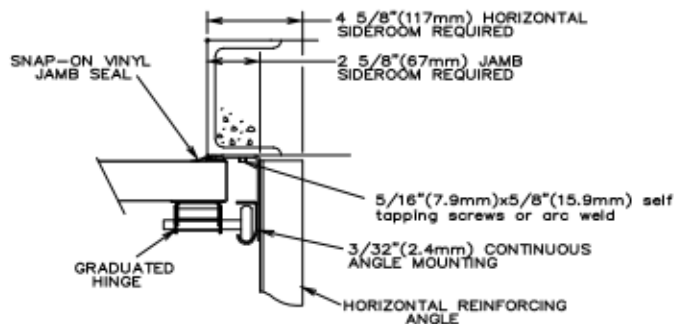


PROPOSAL  
DRAWING

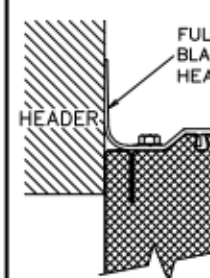
RAYNOR ORDER NUMBER	QTY	OPENING		ACTUAL		MODEL	JAMB			MOUNTING		LOCK
		WIDTH	HEIGHT	WIDTH	HEIGHT		W	S	M	ANGLE	BRKT	
	1	12' 0"	12' 0"	12'2"	12' 0 3/4"	TM220		X		X		OML
		3657.6MM	3657.6MM	3708.4 MM	3676.65MM							



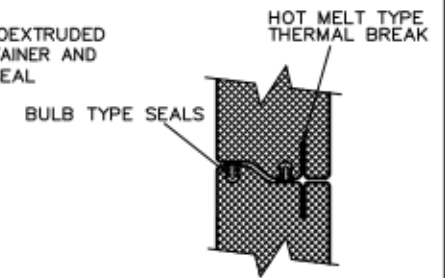
SECTION THRU OPENING



JAMB DETAIL



HEADER SEAL



JOINT SEAL