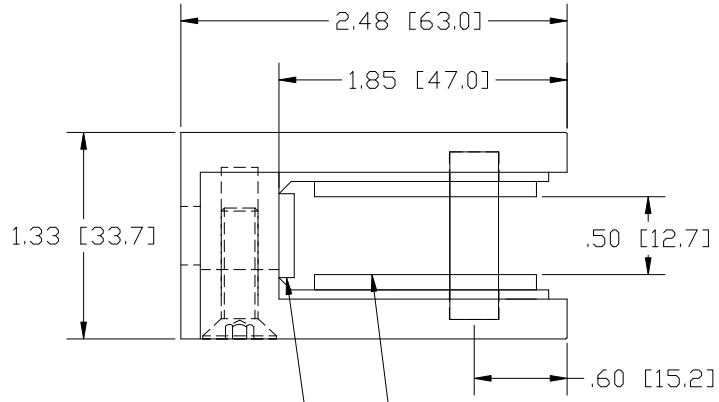
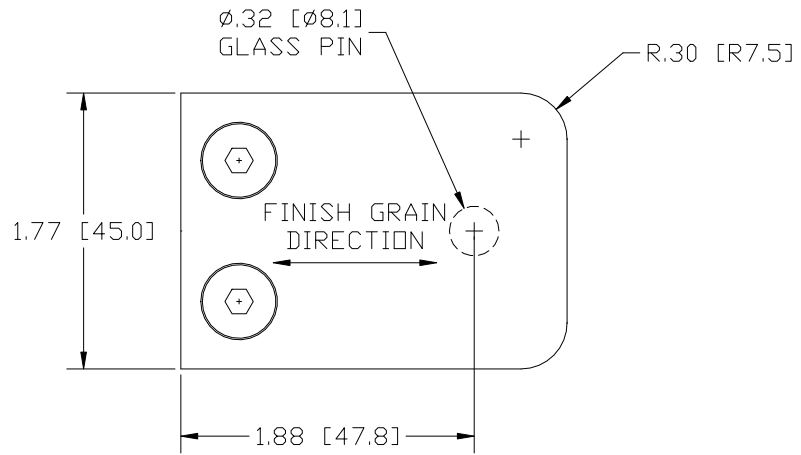
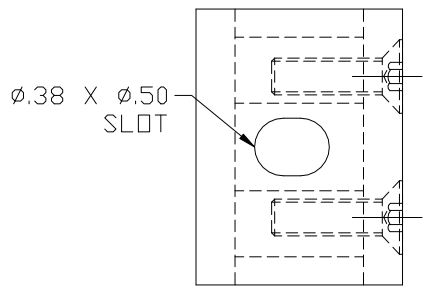


REV
SH
DWG NO GR310F.4


REVISIONS			
REV	DESCRIPTION	DATE	APPROVED



GASKETS INCLUDED FOR .500, .5625 & .625 PANEL
GASKET(S) INCLUDED FOR GLASS PANEL PROTECTION



FOR GLASS THICKNESS 1/2" - 5/8"
WORKS WITH FLAT POSTS

PART NAME		GLASS CLIP ASSEMBLY	
MATERIAL		TYPE 316 STAINLESS STEEL	
DATE	01/03/14	 THE WAGNER COMPANIES R & B WAGNER, INC. AND J. G. BRAUN CO.	REV
DRAWN BY	TLK		
FINISH	#4 SATIN	SIZE	A
		PART NUMBER	GR310F.4