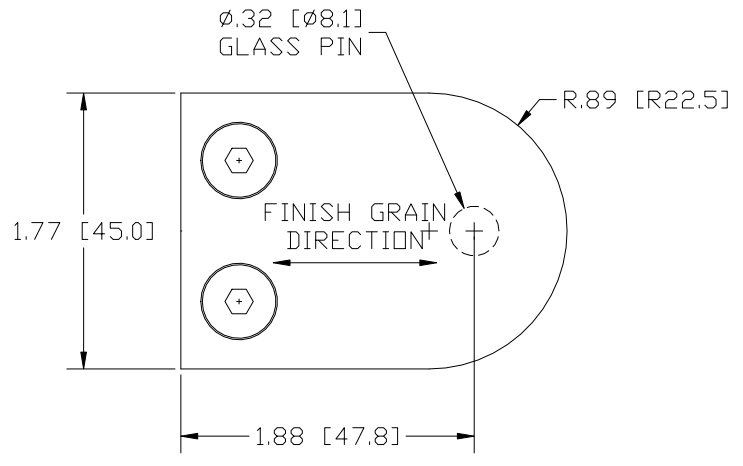
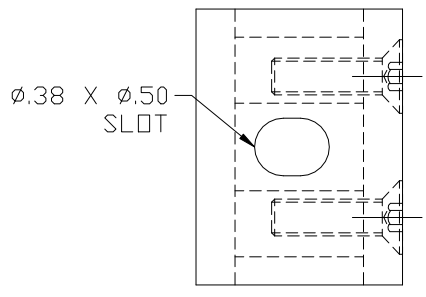
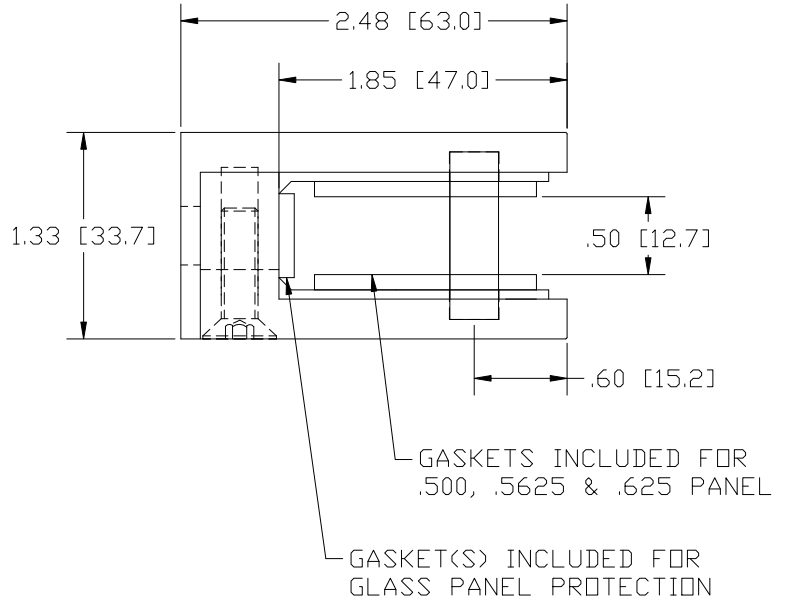


REV  
 SH  
 DWG NO GR310F.4-R

REVISIONS			
REV	DESCRIPTION	DATE	APPROVED



FOR GLASS THICKNESS 1/2" - 5/8"  
 WORKS WITH FLAT POSTS

PART NAME		GLASS CLIP ASSEMBLY	
MATERIAL		TYPE 316 STAINLESS STEEL	
DATE	01/03/14		<b>THE WAGNER COMPANIES</b> R & B WAGNER, INC. AND J. G. BRAUN CO.
DRAWN BY	TLK		
FINISH	#4 SATIN	SIZE	A
		PART NUMBER	GR310F.4-R
		REV	