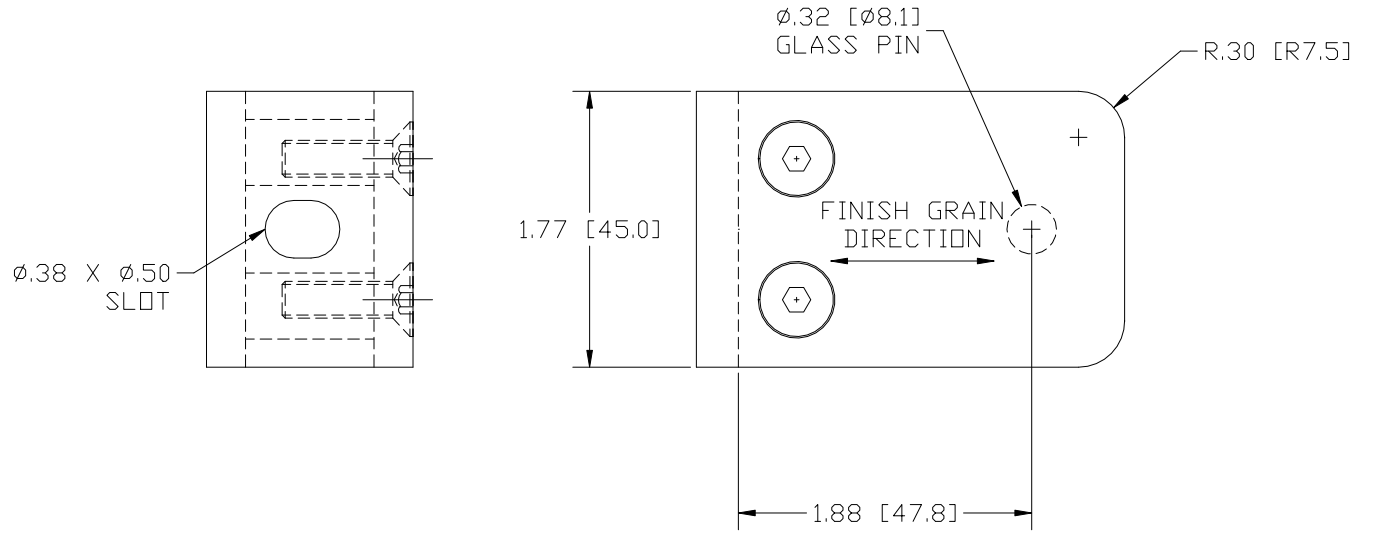
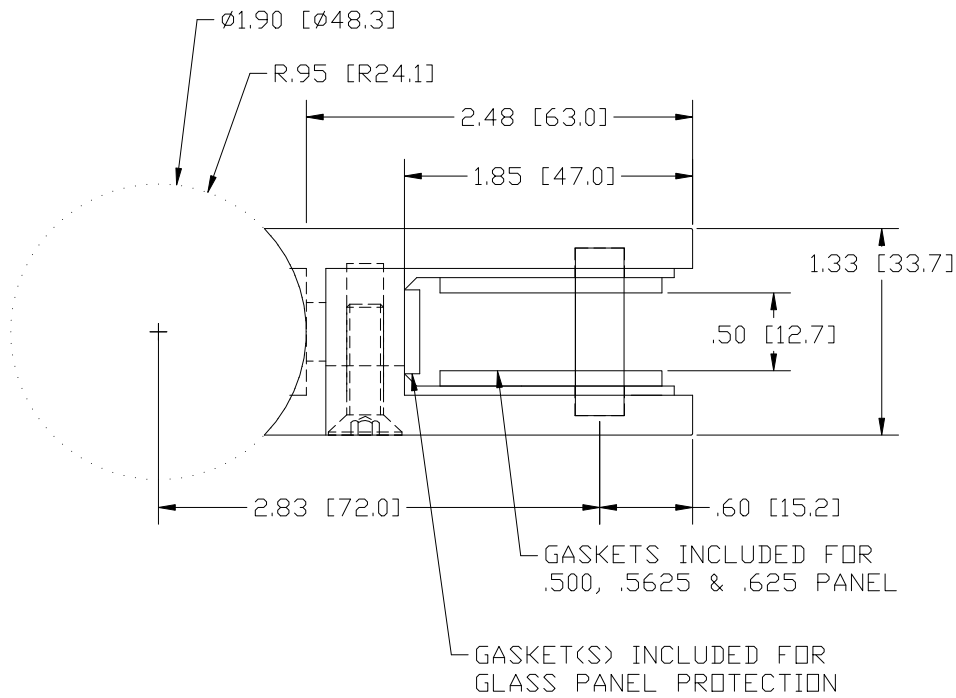



REV  
SH  
DWG NO GR310R.4

REVISIONS			
REV	DESCRIPTION	DATE	APPROVED



FOR GLASS THICKNESS 1/2" - 5/8"  
 WORKS WITH POST SIZES 1.90" - 2.00" DIAMETER

PART NAME		GLASS CLIP ASSEMBLY					
MATERIAL		TYPE 316 STAINLESS STEEL					
DATE	01/03/14	 <b>THE WAGNER COMPANIES</b> R & B WAGNER, INC. AND J. G. BRAUN CO.					
DRAWN BY	TLK						
FINISH	#4 SATIN	SIZE	A	PART NUMBER	GR310R.4	REV	