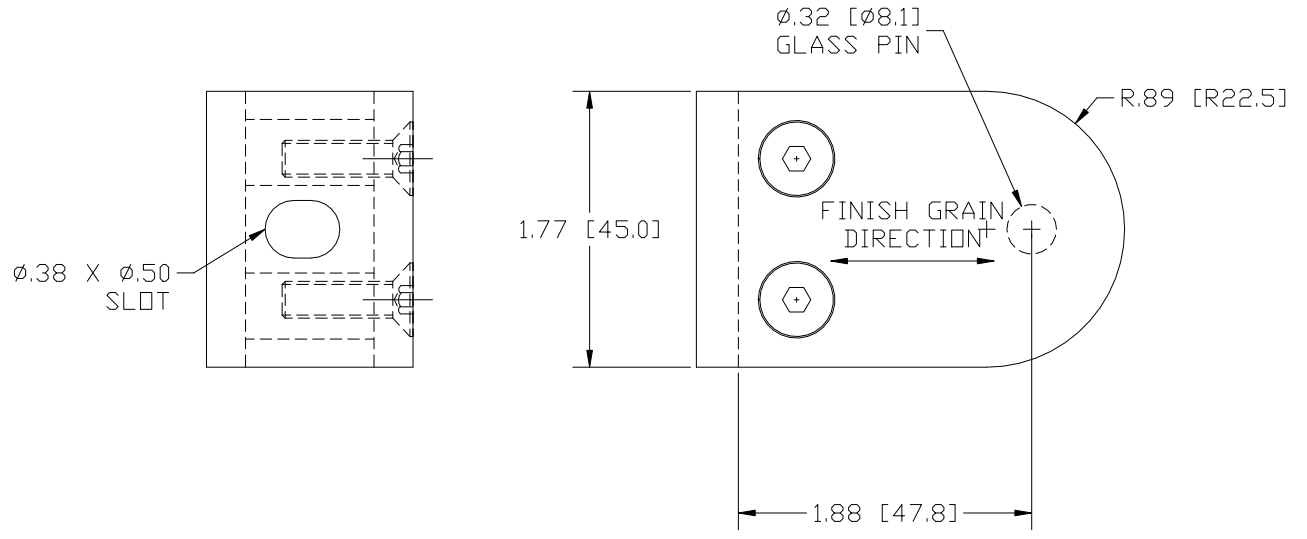
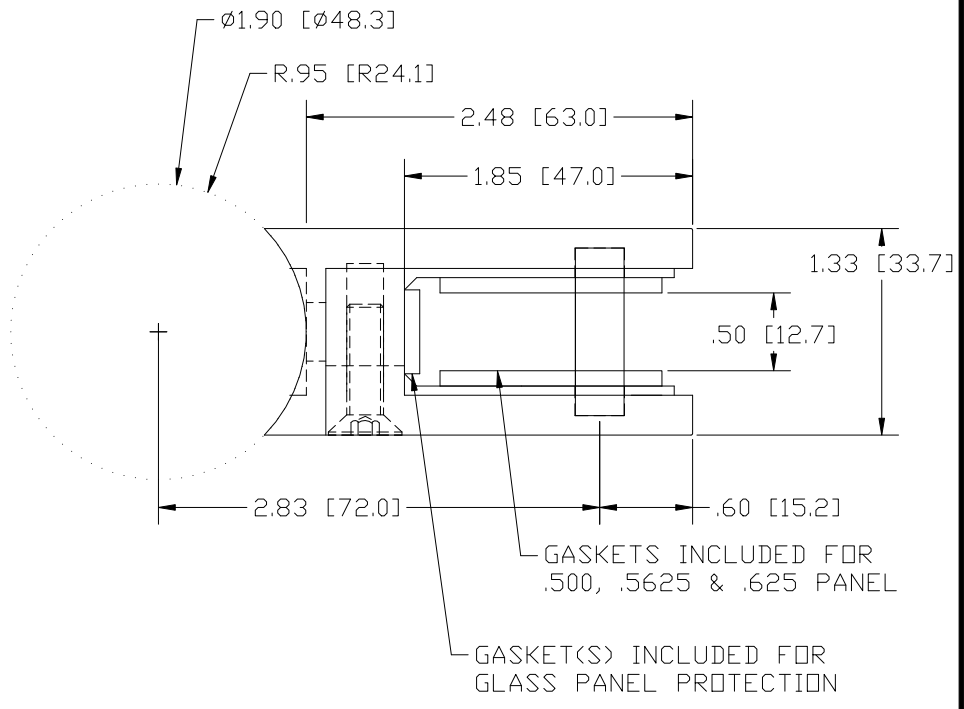



REV
SH
DWG NO GR310R.4-R

REVISIONS			
REV	DESCRIPTION	DATE	APPROVED



FOR GLASS THICKNESS 1/2" - 5/8"
 WORKS WITH POST SIZES 1.90" - 2.00" DIAMETER

PART NAME		GLASS CLIP ASSEMBLY					
MATERIAL		TYPE 316 STAINLESS STEEL					
DATE	01/03/14	 THE WAGNER COMPANIES R & B WAGNER, INC. AND J. G. BRAUN CO.					
DRAWN BY	TLK						
FINISH	#4 SATIN	SIZE	A	PART NUMBER	GR310R.4-R	REV	