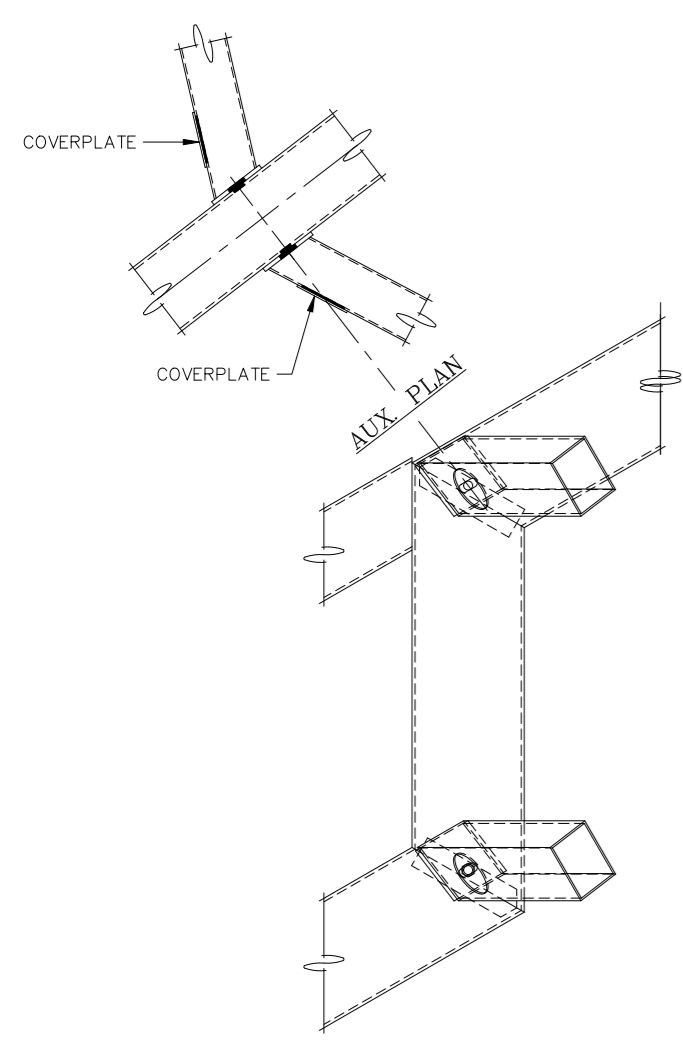
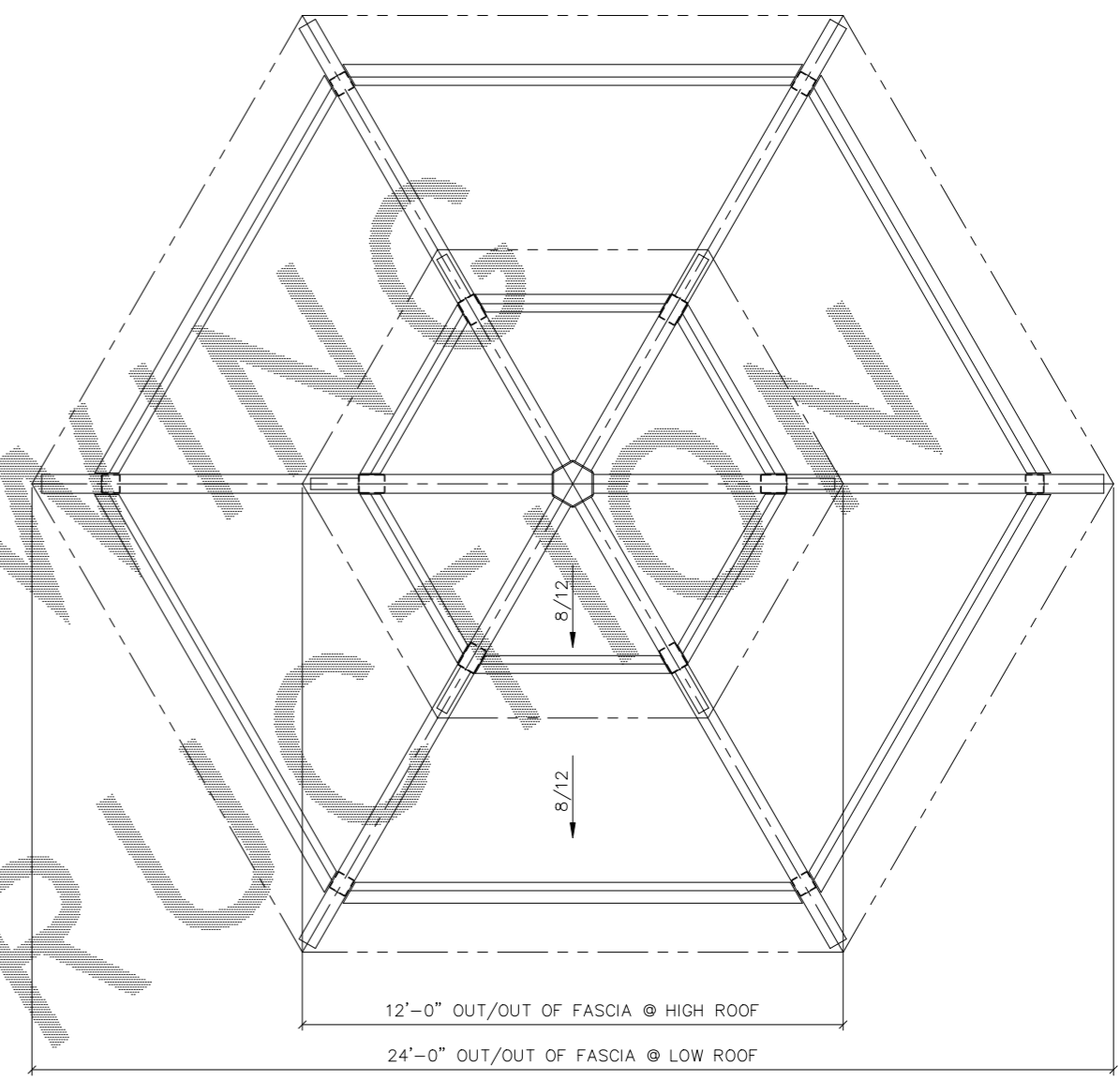
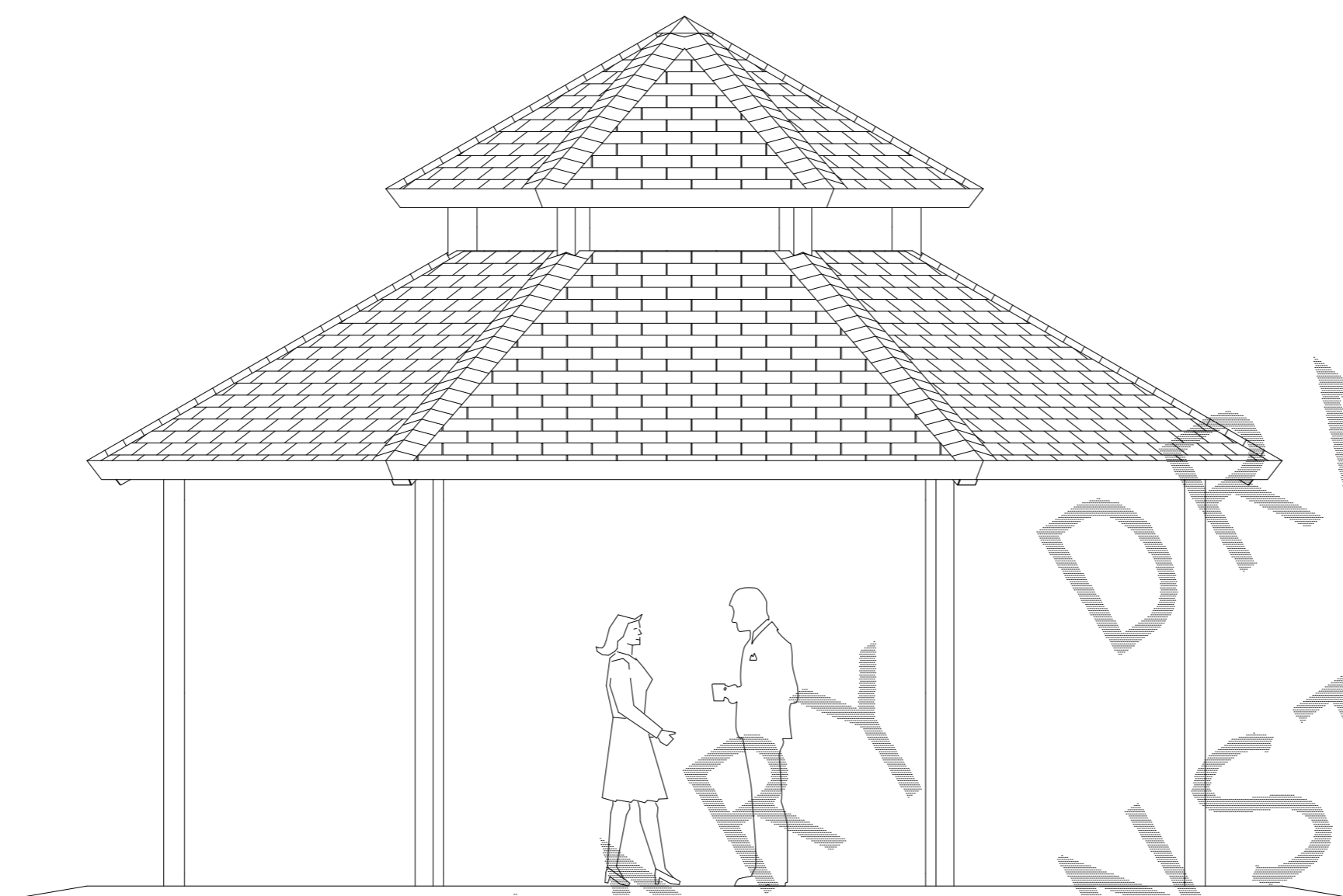


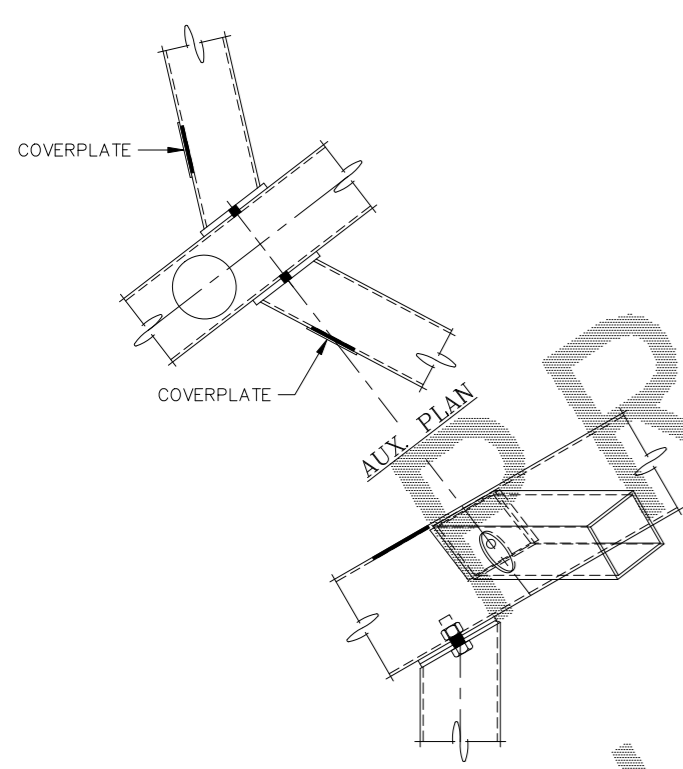
THIS PRINT IS THE PROPERTY OF RCP SHELTERS AND IS NOT TO BE USED, COPIED, OR REPRODUCED WITHOUT THEIR EXPRESSED WRITTEN PERMISSION.



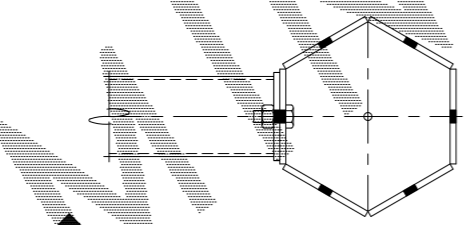
PURLIN TO HIP CONNECTION



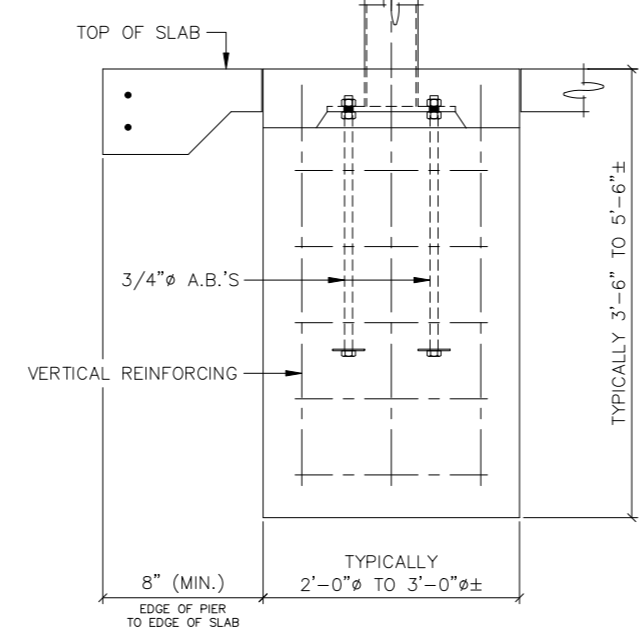
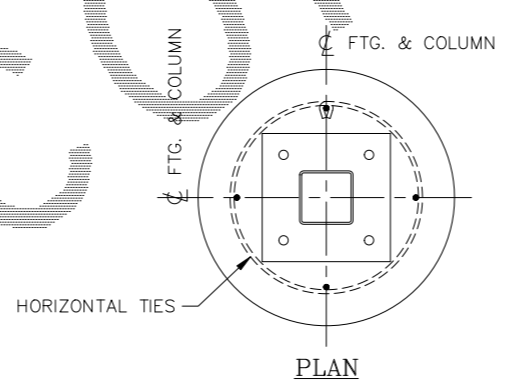
ROOF FRAMING PLAN



COLUMN TO HIP CONNECTION

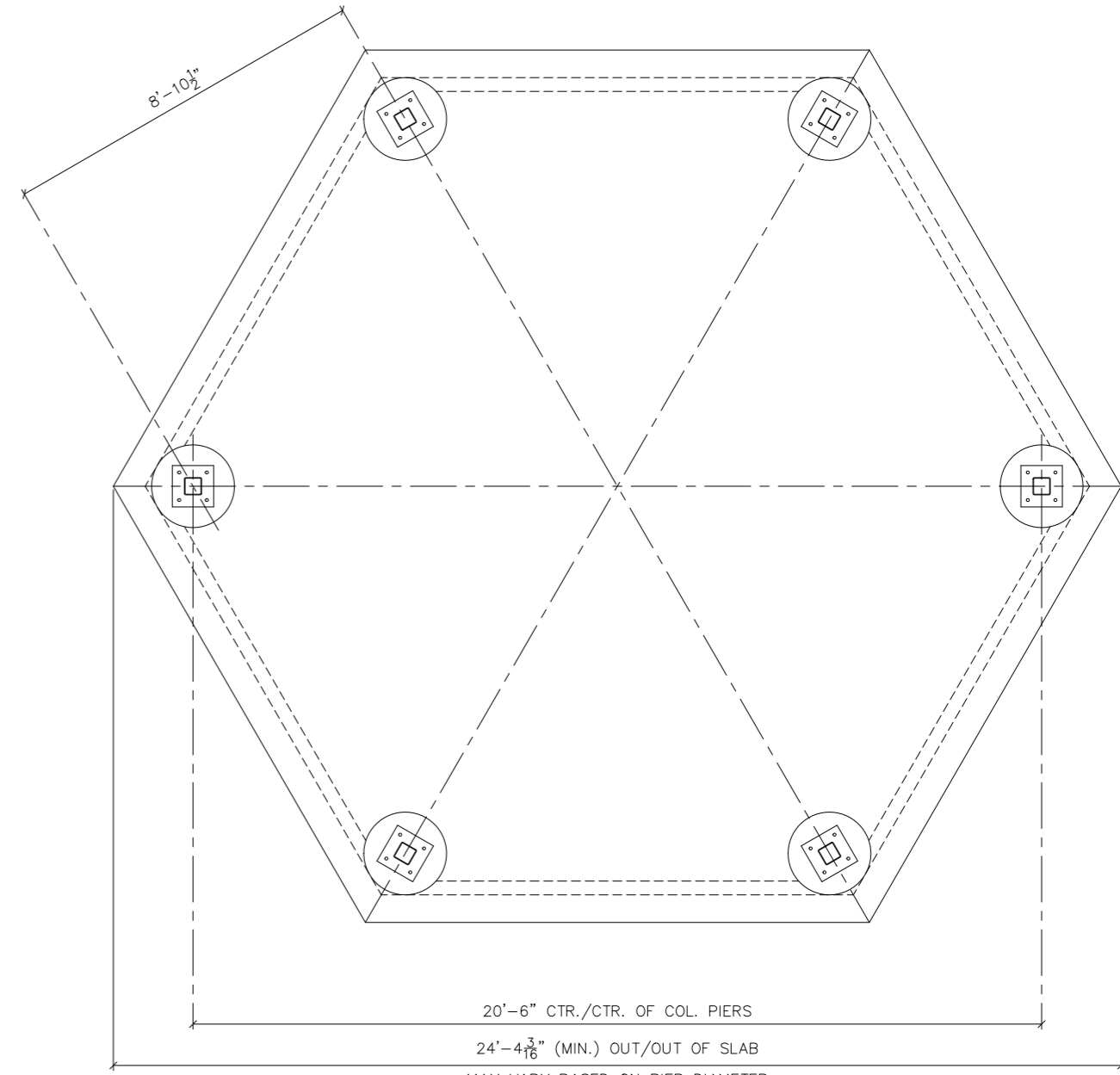


PEAK CONNECTION



COLUMN PIER DETAIL

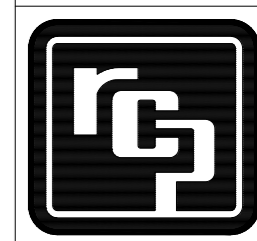
ACTUAL DESIGN WILL VARY DUE TO BUILDING CODE REQUIREMENTS AND MAY BE SUBSTANTIALLY LARGER



FOUNDATION PLAN

SLF-GLX24-08

RCP SHELTERS, INC.
2100 SE RAYS WAY STUART, FL 34994 PO BOX 25 STUART, FL 34995-0025
SHELTERS ■ PAVILIONS ■ CONCESSIONS ■ KIOSKS ■ FABRIC SHADE
RESTROOMS ■ BANDSHELLS ■ MINI-SHELTERS ■ DUGOUTS ■ FABRIC SAIL
Phone 800-525-0207 Fax 772-288-0207
www.rcpselters.com Email info@rcpselters.com



PROJ. NO.:
DRAWN: CJT 10-2-07
CHK'D: JLD
REV 1:
REV 2:
REV 3:
REV 4:
REV 5:
CAD NO.: SLF-GLX24-08
EEC JOB NO.: 6537 D
SHEET NO.:
1X OF 1X