

THIS PRINT IS THE PROPERTY OF RCP SHELTERS AND IS NOT TO BE USED, COPIED, OR REPRODUCED WITHOUT THEIR EXPRESSED WRITTEN PERMISSION.

SLF-H2030-04

NUMBER OF PURLINS MAY VARY DEPENDING UPON DESIGN LOADS. SIZES AND SPACING OF PURLINS TO BE DETERMINED DURING FINAL DESIGN.

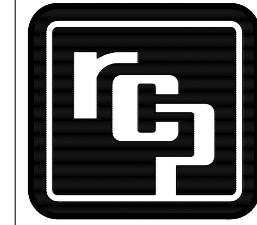
RCP SHELTERS, INC.

2100 SE RAYS WAY STUART, FL 34994 PO BOX 25 STUART, FL 34995-0025

■ SHELTERS ■ PAVILIONS ■ CONCESSIONS ■ KIOSKS ■ FABRIC SHADE
 ■ RESTROOMS ■ BANDSHELLS ■ MINI-SHELTERS ■ DUGOUTS ■ FABRIC SAIL

Phone 800-525-0207 Fax 772-288-0207

www.rcpselters.com Email info@rcpselters.com



PROJ. NO.:

DRAWN: DPP 2-27-08

CHK'D: JLD

REV 1:

REV 2:

REV 3:

REV 4:

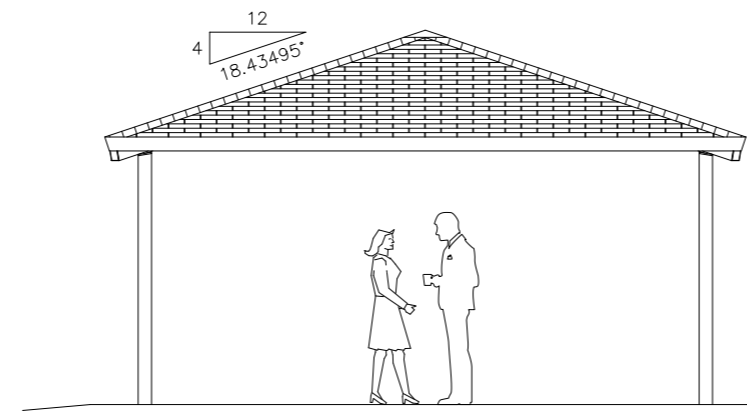
REV 5:

CAD NO.: SLF-H2030-04

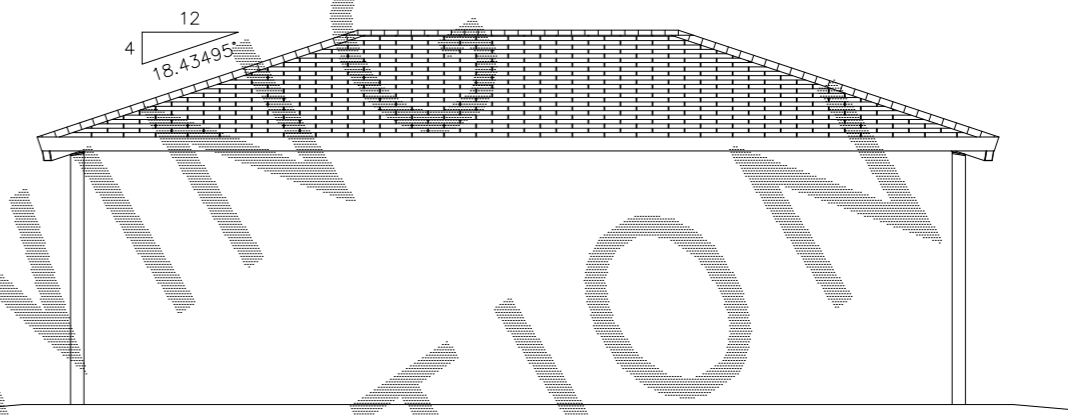
ECC JOB NO.: 6832 R

SHEET NO.:

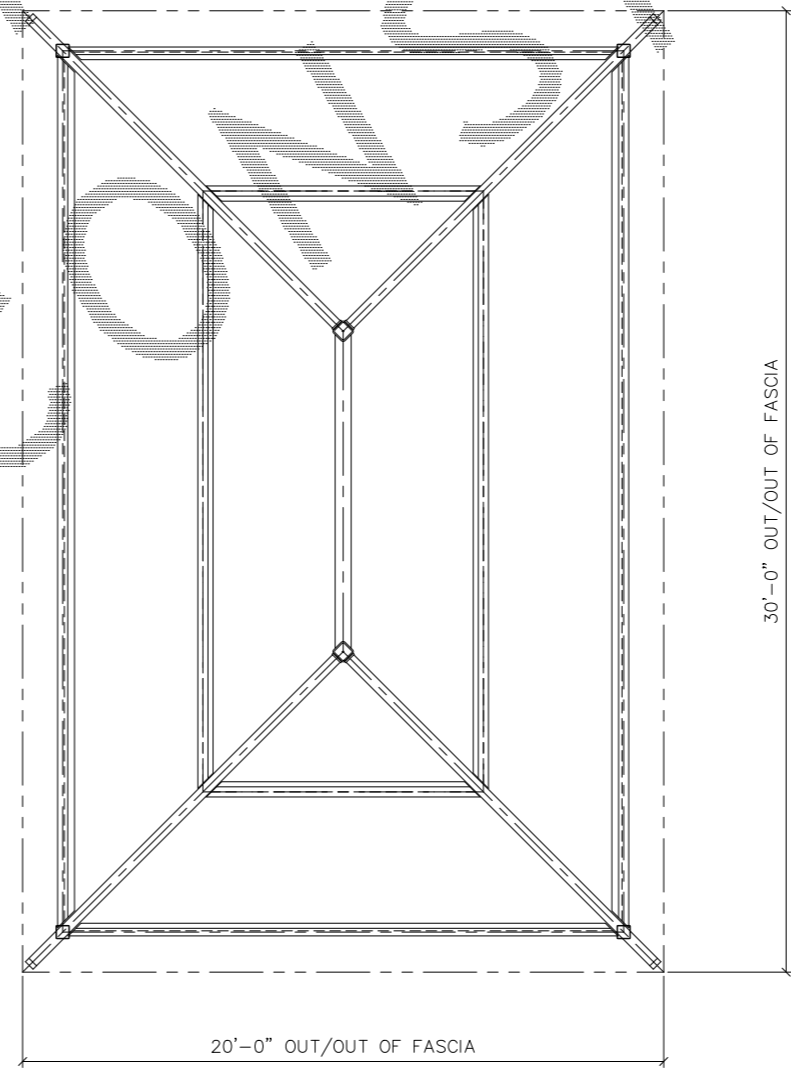
1X OF 1X



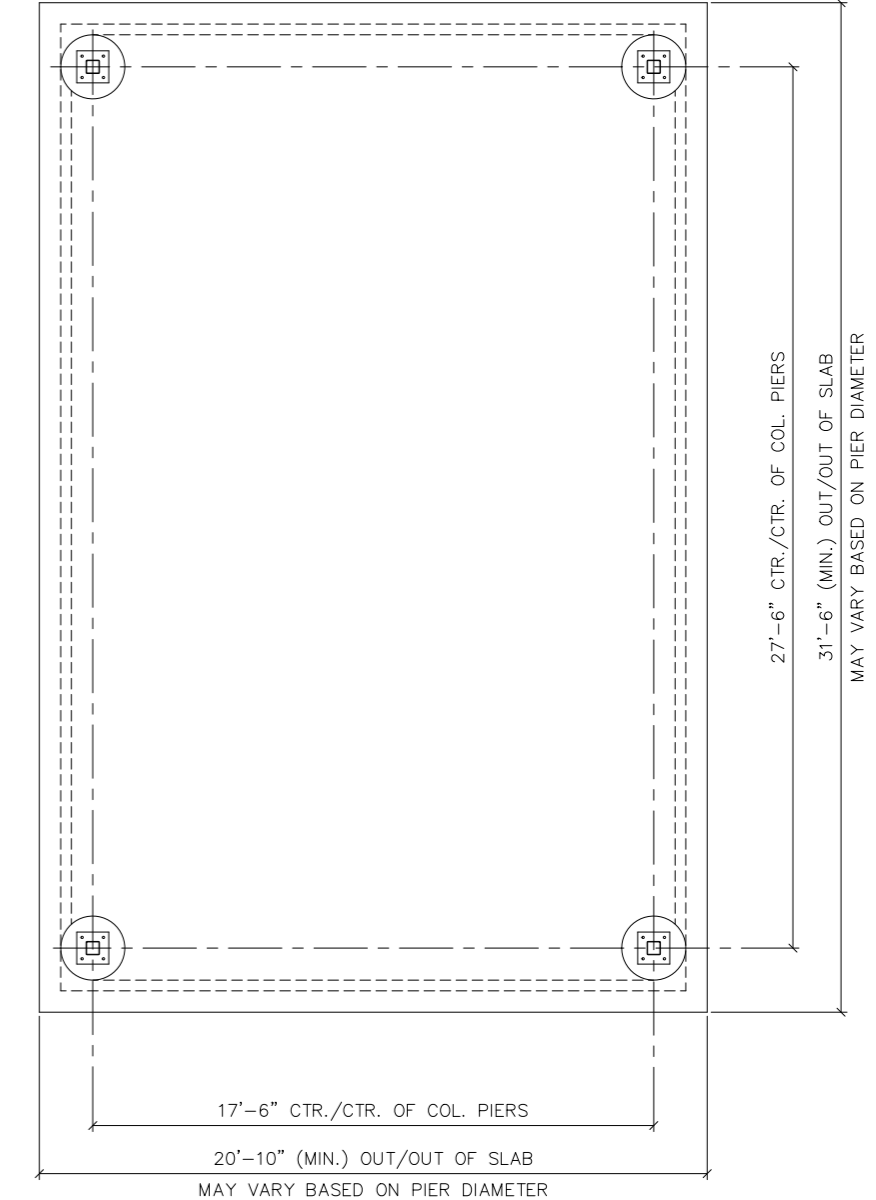
END ELEVATION



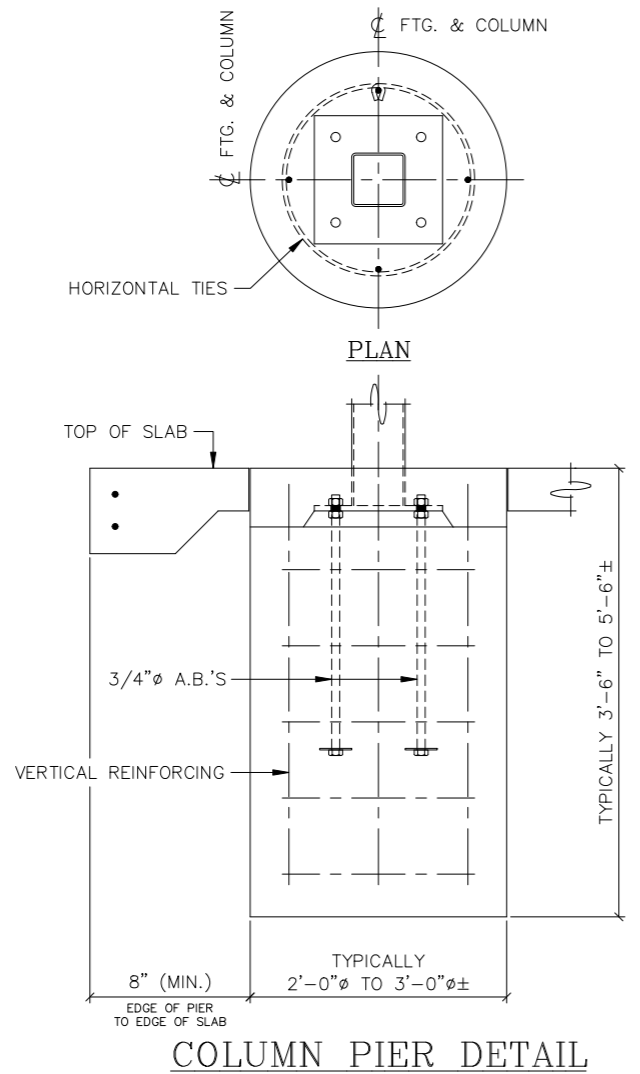
SIDE ELEVATION



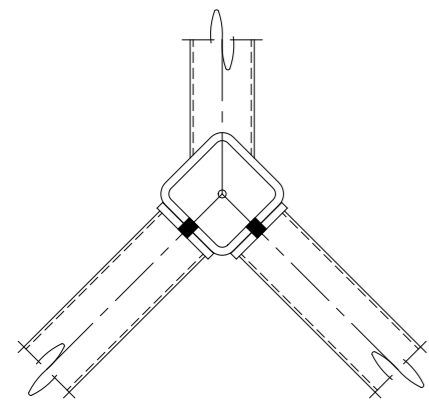
ROOF FRAMING PLAN



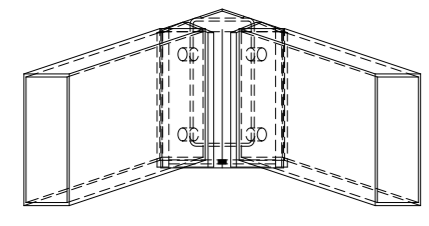
FOUNDATION PLAN



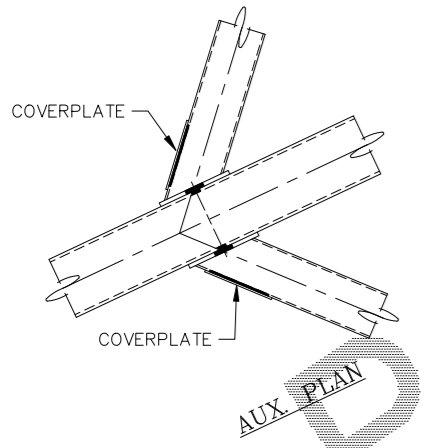
COLUMN PIER DETAIL



PLAN

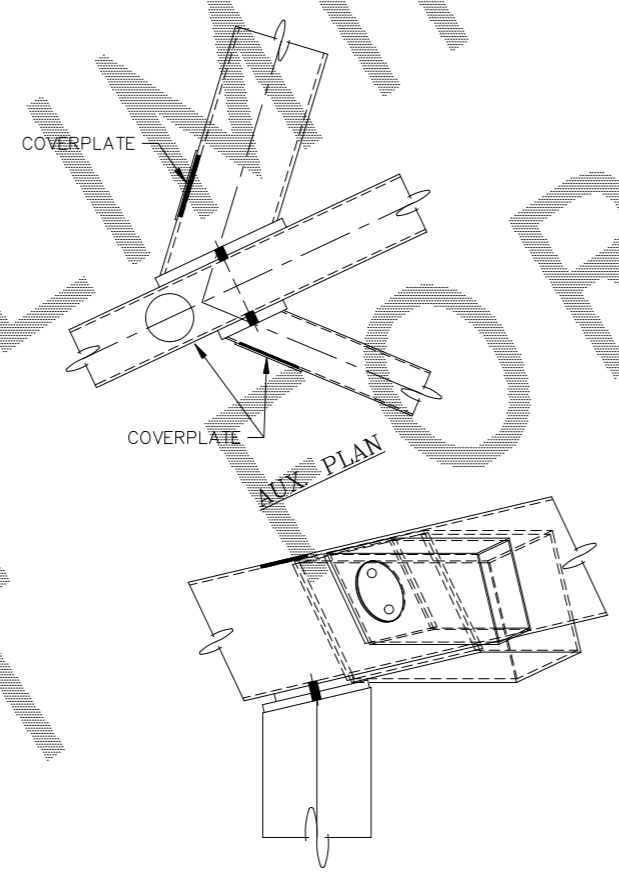


HIP TO RIDGE CONNECTION



AUX PLAN

PURLIN TO HIP CONNECTION



AUX PLAN

COLUMN TO HIP CONNECTION