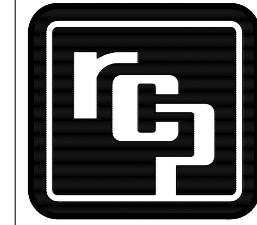


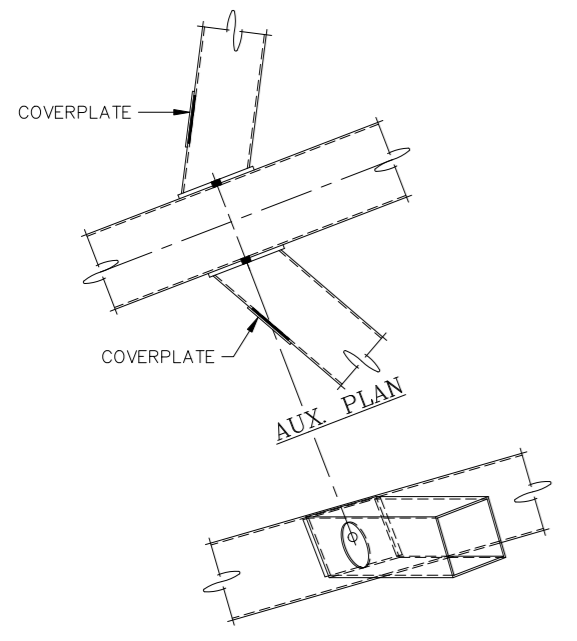
THIS PRINT IS THE PROPERTY OF RCP SHELTERS AND IS NOT TO BE USED, COPIED, OR REPRODUCED WITHOUT THEIR EXPRESSED WRITTEN PERMISSION.

SLF-HEX24-04

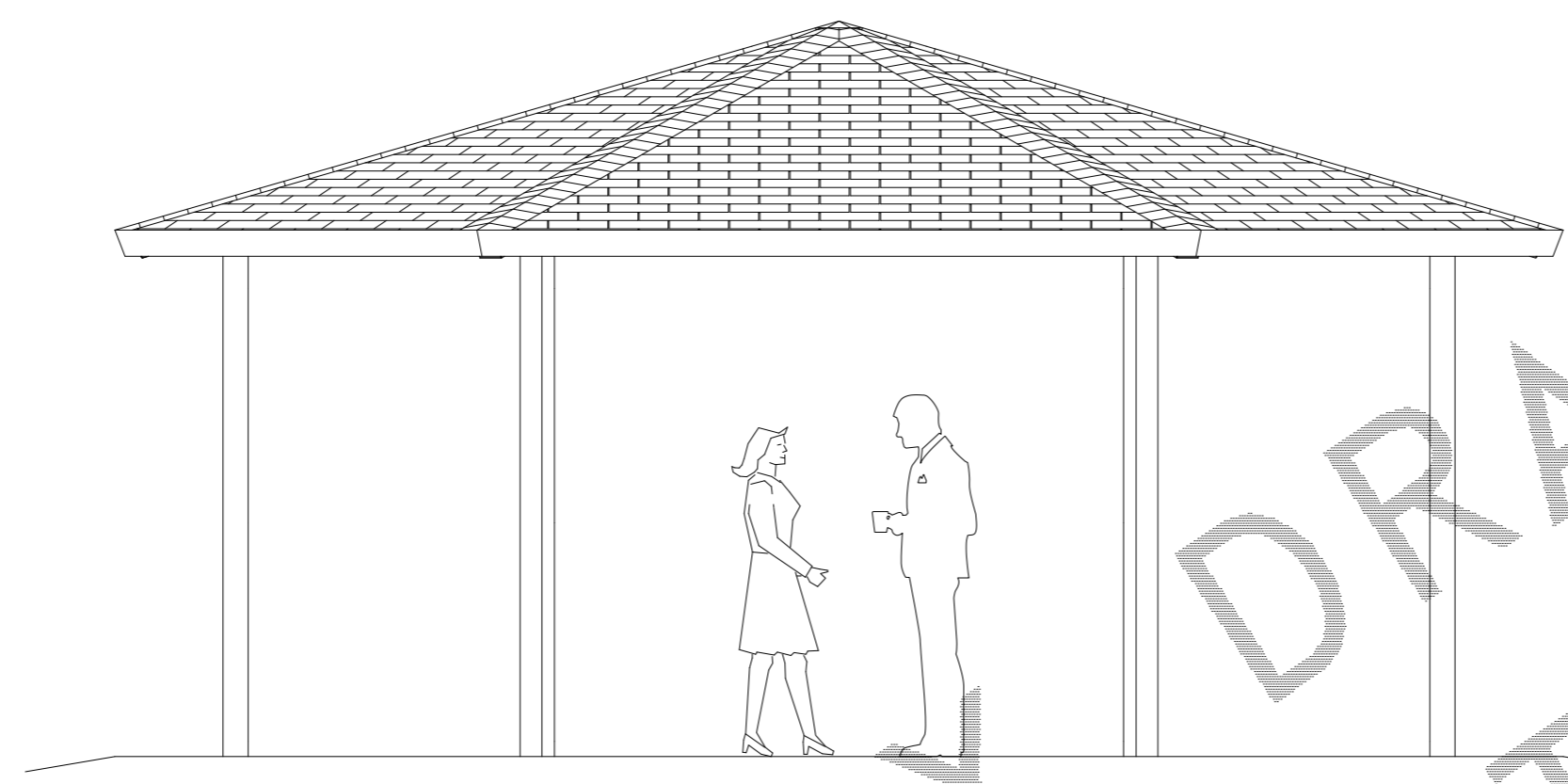
RCP SHELTERS, INC.
 2100 SE RAYS WAY STUART, FL 34994 PO BOX 25 STUART, FL 34995-0025
 ■ SHELTERS ■ PAVILIONS ■ CONCESSIONS ■ KIOSKS ■ FABRIC SHADE ■ RESTROOMS ■ BANDSHELLS ■ MINI-SHELTERS ■ DUGOUTS ■ FABRIC SAIL
 Phone 800-525-0207 Fax 772-288-0207
 www.rcpselters.com Email info@rcpselters.com



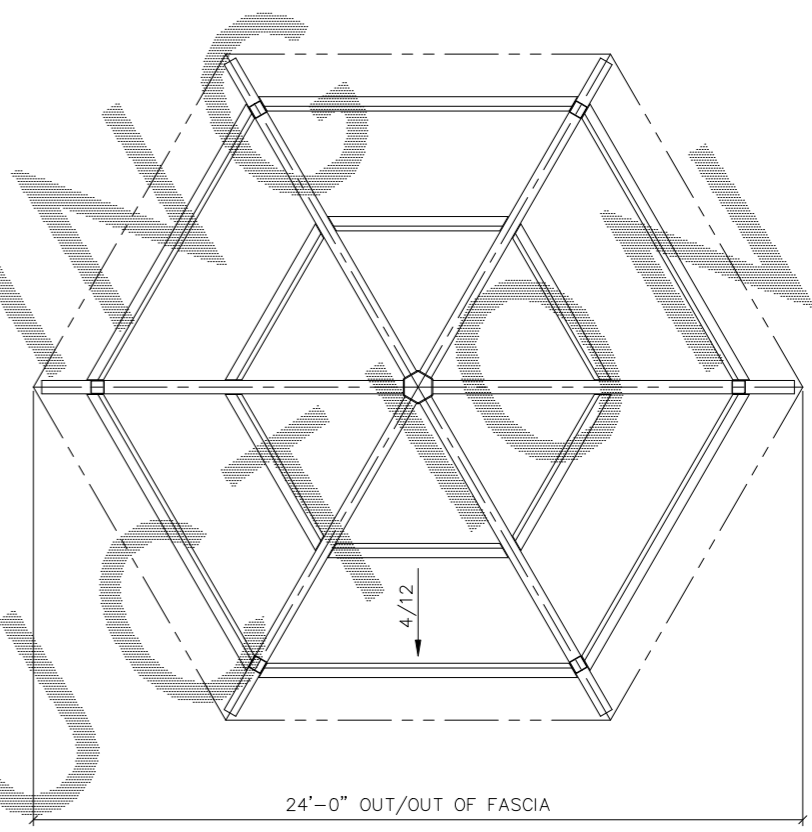
PROJ. NO.:
 DRAWN: CJT 10-23-07
 CHK'D: JLD
 REV 1:
 REV 2:
 REV 3:
 REV 4:
 REV 5:
 CAD NO.: SLF-HEX24-04
 EEC JOB NO.: 6537 E
 SHEET NO.:
 1X OF 1X



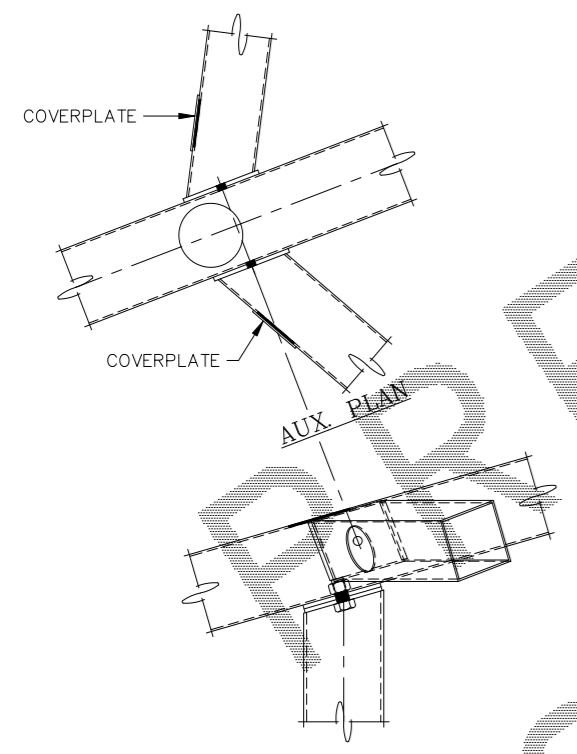
PURLIN TO HIP CONNECTION



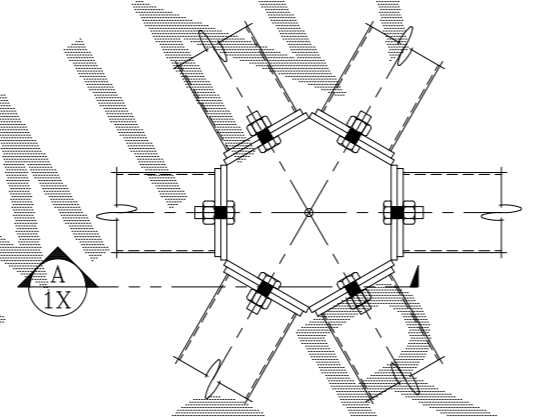
ELEVATION



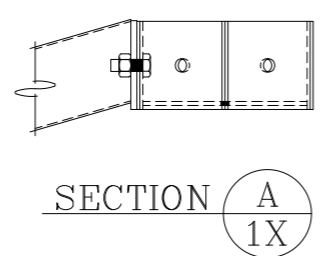
ROOF FRAMING PLAN



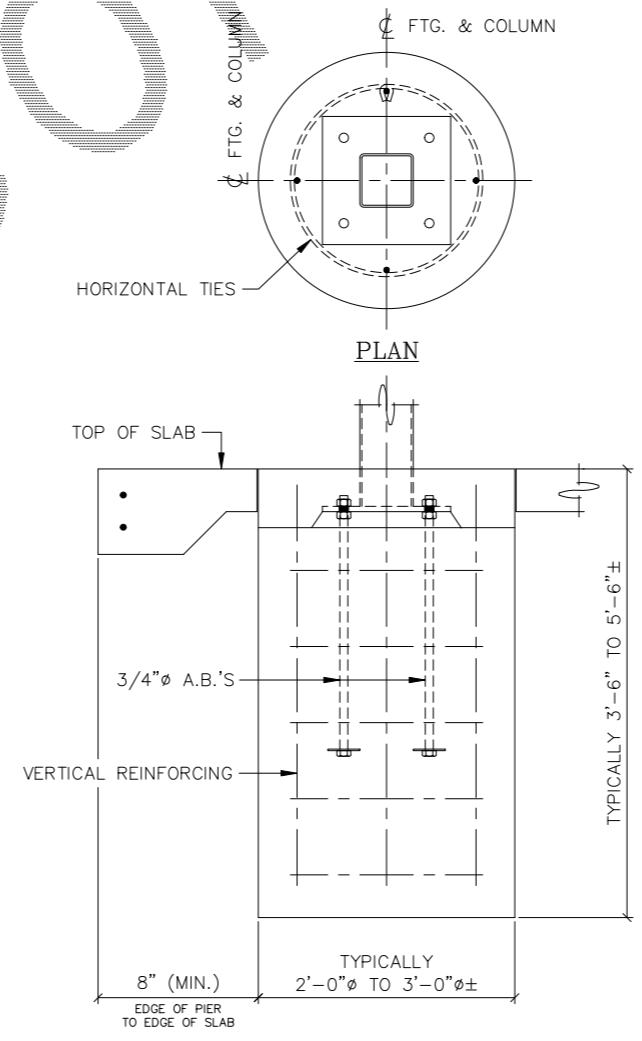
COLUMN TO HIP CONNECTION



PEAK CONNECTION

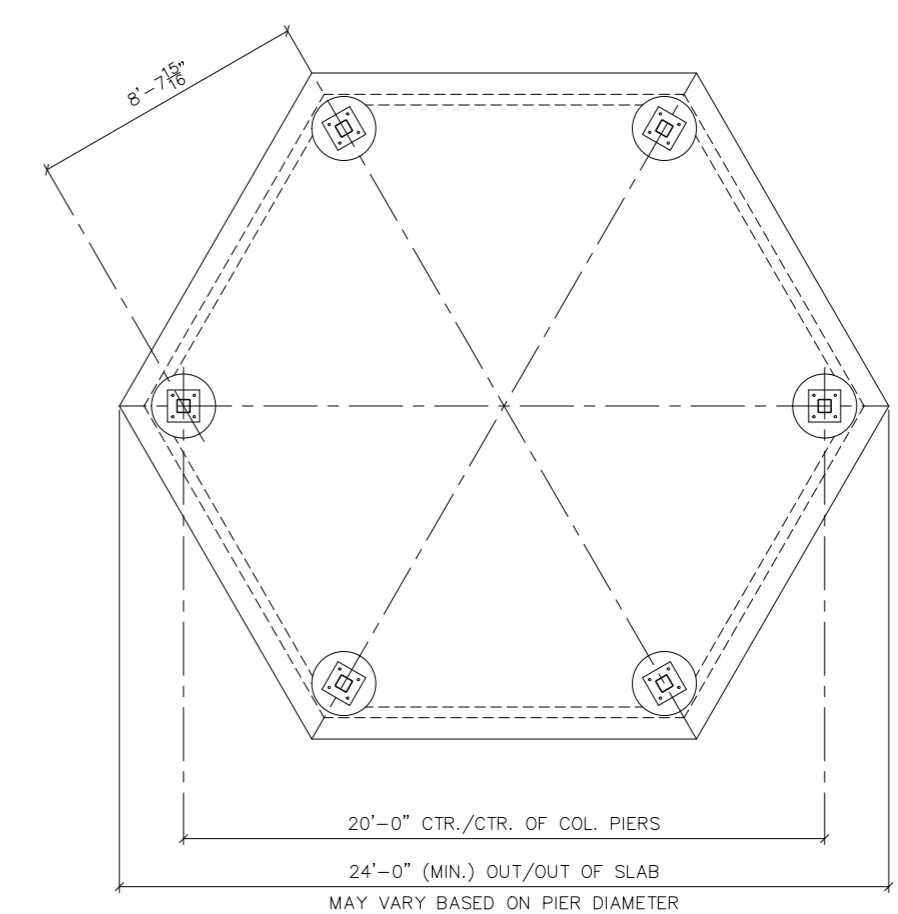


SECTION A 1X



COLUMN PIER DETAIL

ACTUAL DESIGN WILL VARY DUE TO BUILDING CODE REQUIREMENTS AND MAY BE SUBSTANTIALLY LARGER



FOUNDATION PLAN

NOT FOR PRELIMINARY CONSTRUCTION DRAWING