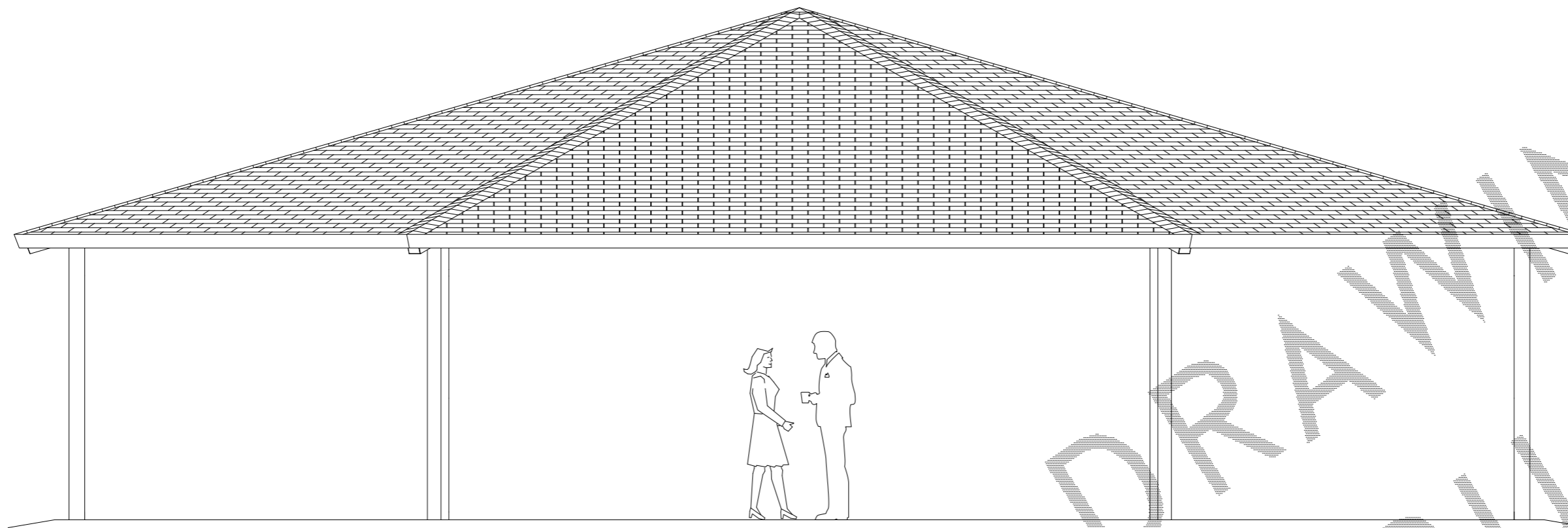
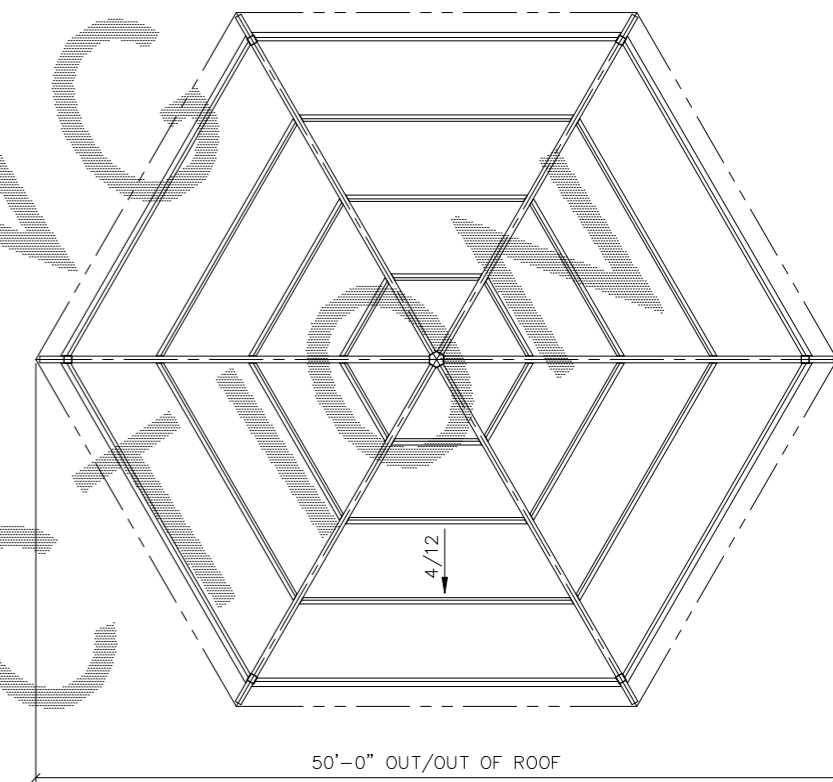


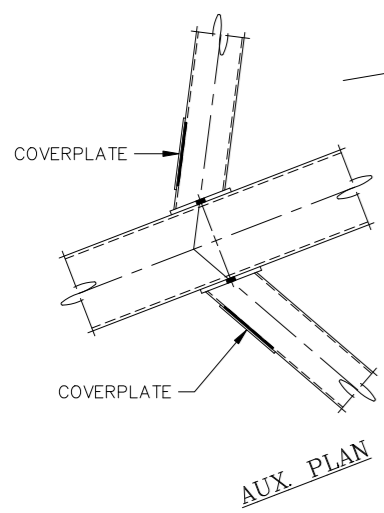
THIS PRINT IS THE PROPERTY OF RCP SHELTERS AND IS NOT TO BE USED, COPIED, OR REPRODUCED WITHOUT THEIR EXPRESSED WRITTEN PERMISSION.



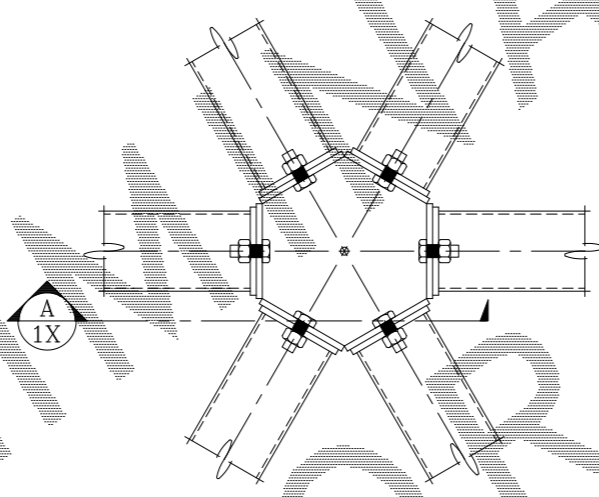
ELEVATION



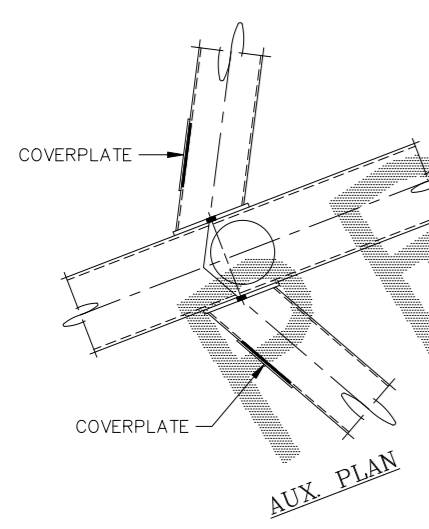
ROOF FRAMING PLAN



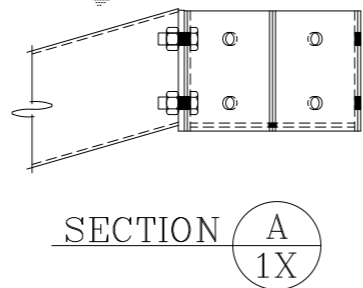
PURLIN TO HIP CONNECTION



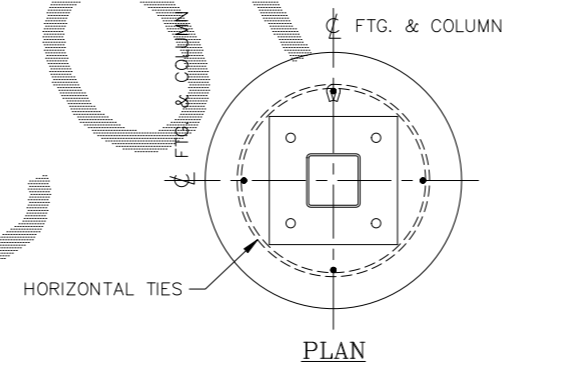
PEAK CONNECTION



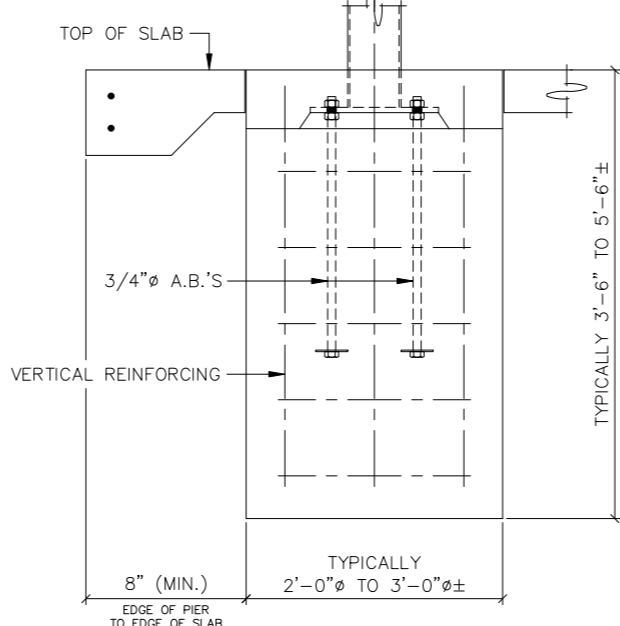
COLUMN TO HIP CONNECTION



SECTION A
1X

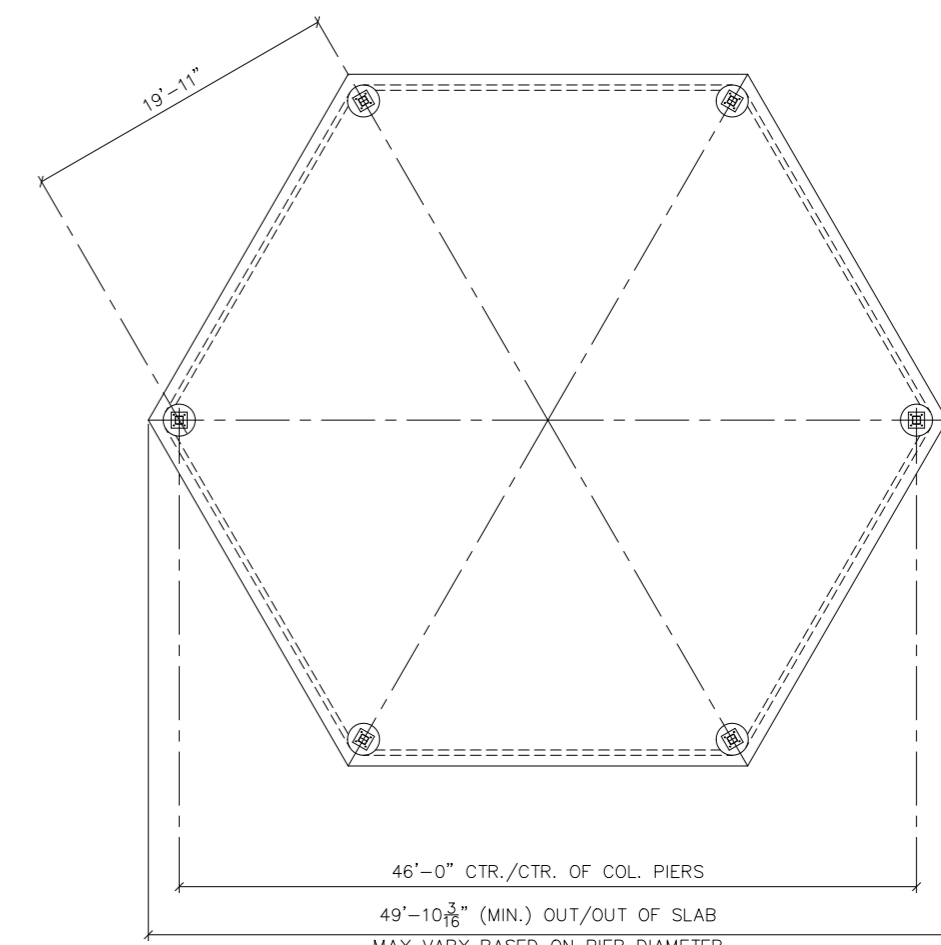


PLAN



COLUMN PIER DETAIL

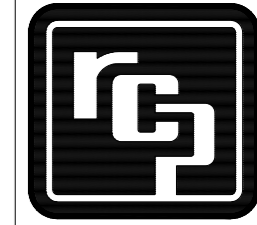
ACTUAL DESIGN WILL VARY DUE TO BUILDING CODE REQUIREMENTS AND MAY BE SUBSTANTIALLY LARGER



FOUNDATION PLAN

SLF-HEX50-04

RCP SHELTERS, INC.
 2100 SE RAYS WAY STUART, FL 34994 PO BOX 25 STUART, FL 34995-0025
 ■ SHELTERS ■ PAVILIONS ■ CONCESSIONS ■ KIOSKS ■ FABRIC SHADE ■ RESTROOMS ■ BANDSHELLS ■ MINI-SHELTERS ■ DUGOUTS ■ FABRIC SAIL
 Phone 800-525-0207 Fax 772-288-0207
 www.rcpselters.com Email info@rcpselters.com



PROJ. NO.:	
DRAWN:	NJH 10-23-07
CHK'D:	JLD
REV 1:	
REV 2:	
REV 3:	
REV 4:	
REV 5:	
CAD NO.:	SLF-HEX50-04
ECC JOB NO.:	6537 E
SHEET NO.:	

1X OF 1X