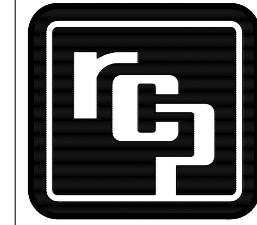


THIS PRINT IS THE PROPERTY OF RCP SHELTERS AND IS NOT TO BE USED, COPIED, OR REPRODUCED WITHOUT THEIR EXPRESSED WRITTEN PERMISSION.

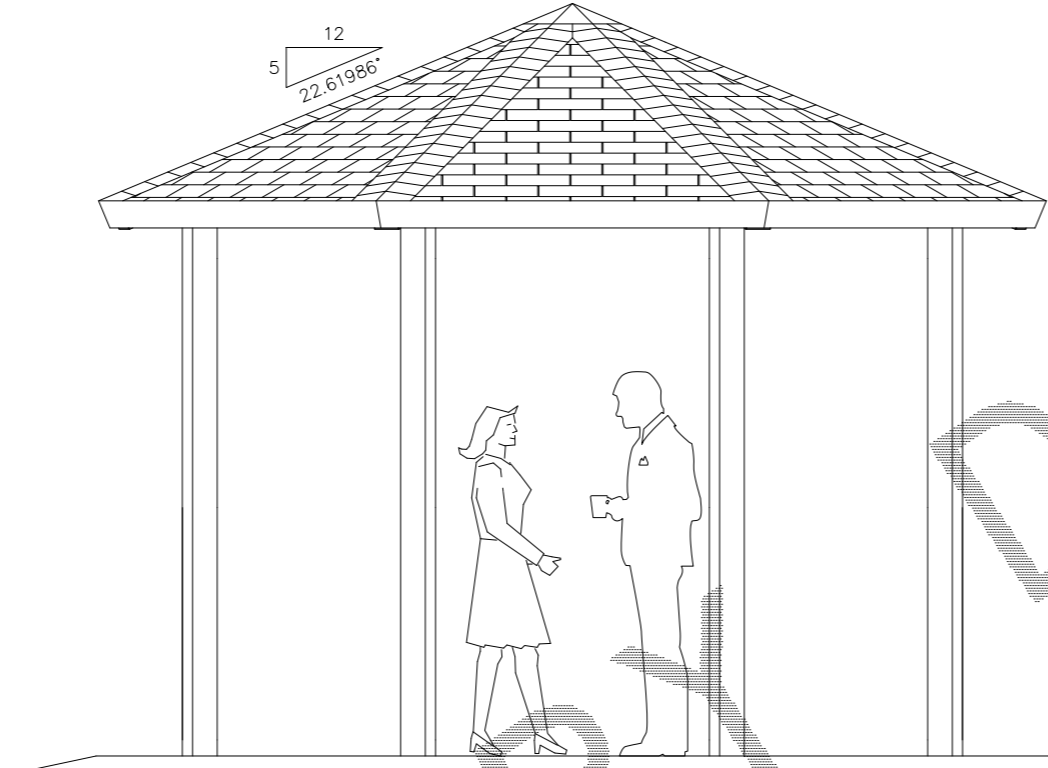
SLF-OCT16-05

RCP SHELTERS, INC.
 2100 SE RAYS WAY STUART, FL 34994 PO BOX 25 STUART, FL 34995-0025
 ■ SHELTERS ■ PAVILIONS ■ CONCESSIONS ■ KIOSKS ■ FABRIC SHADE ■ RESTROOMS ■ BANDSHELLS ■ MINI-SHELTERS ■ DUGOUTS ■ FABRIC SAIL
 Phone 800-525-0207 Fax 772-288-0207
 www.rcpselters.com Email info@rcpselters.com

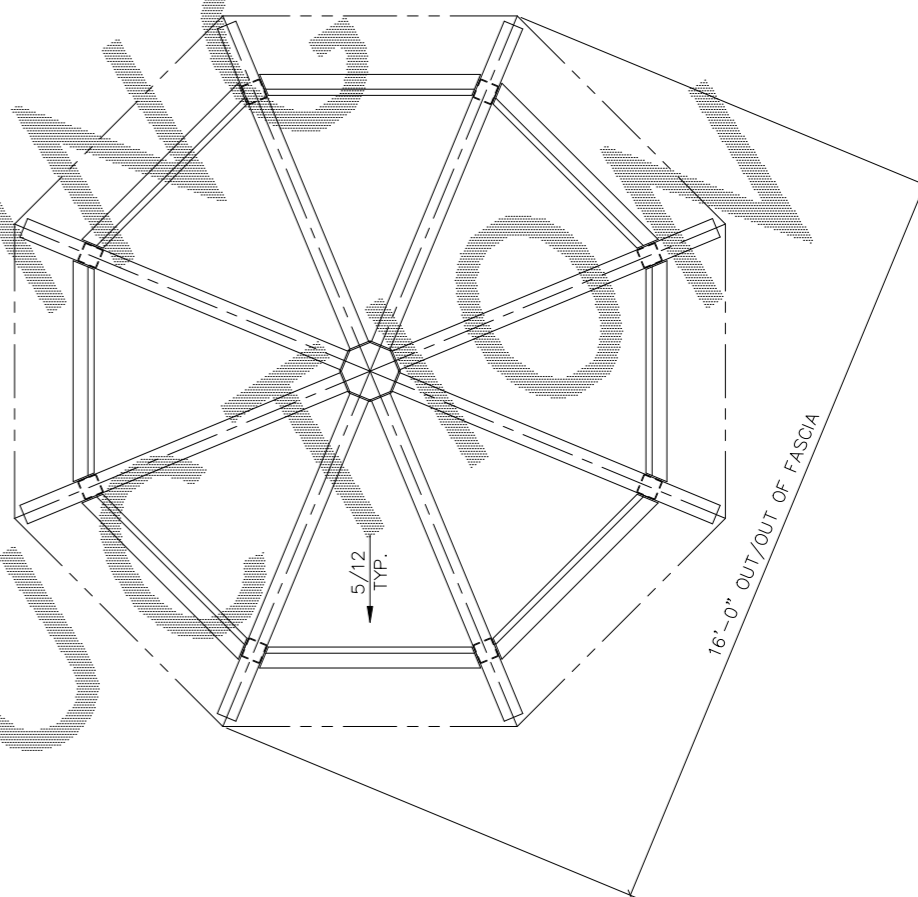


PROJ. NO.:
 DRAWN: CJT 2-27-08
 CHK'D: JLD
 REV 1:
 REV 2:
 REV 3:
 REV 4:
 REV 5:
 CAD NO.: SLF-OCT16-05
 EEC JOB NO.: 6832 R
 SHEET NO.:

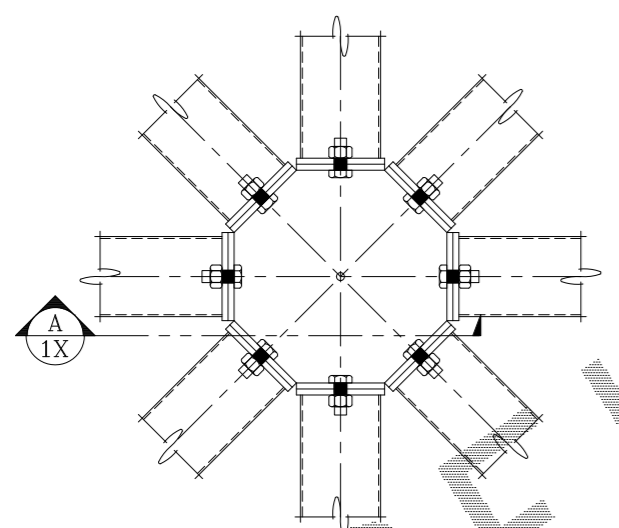
1X OF 1X



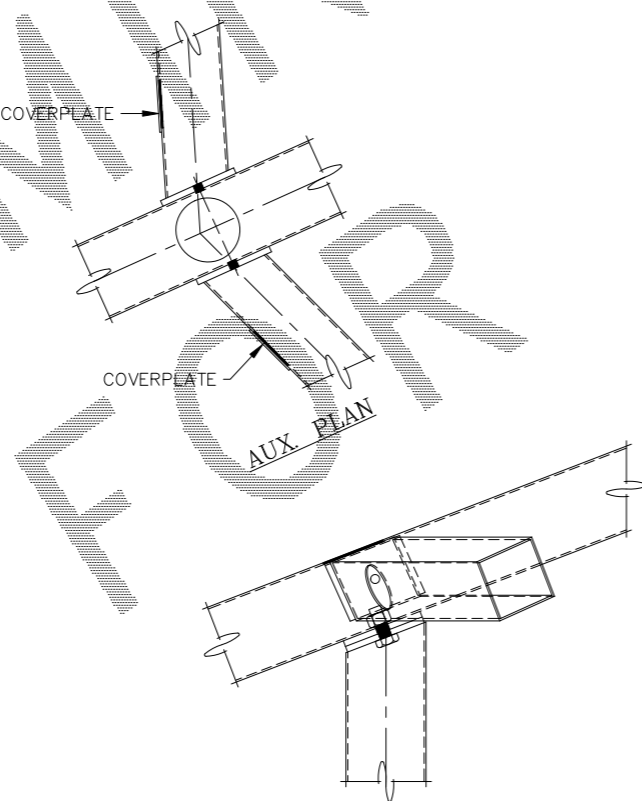
ELEVATION



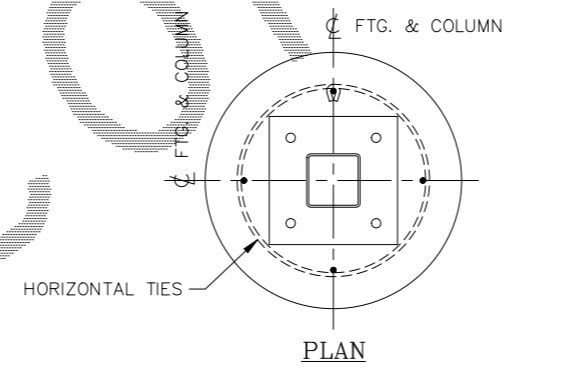
ROOF FRAMING PLAN



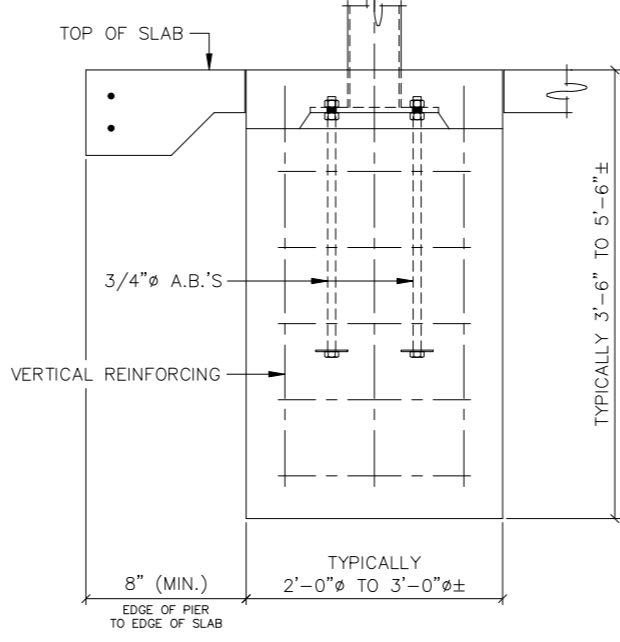
PEAK CONNECTION



COLUMN TO HIP CONNECTION

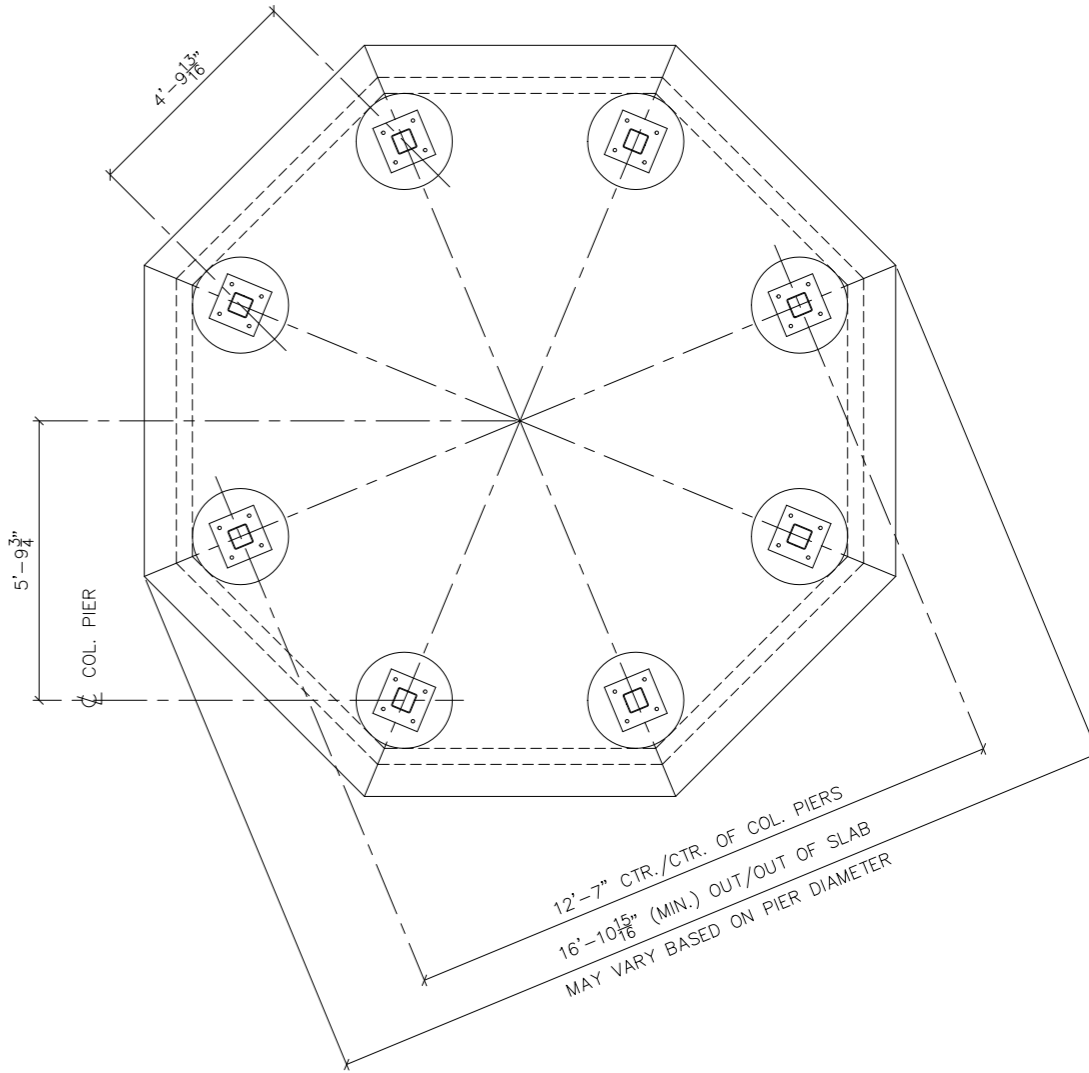


PLAN



COLUMN PIER DETAIL

ACTUAL DESIGN WILL VARY DUE TO BUILDING CODE REQUIREMENTS AND MAY BE SUBSTANTIALLY LARGER



FOUNDATION PLAN

SECTION A
1X

NOT FOR PRELIMINARY CONSTRUCTION DRAWINGS