

THIS PRINT IS THE PROPERTY OF RCP SHELTERS AND IS NOT TO BE USED, COPIED, OR REPRODUCED WITHOUT THEIR EXPRESSED WRITTEN PERMISSION.

SLF-SQ12-04

NUMBER OF PURLINS MAY VARY DEPENDING UPON DESIGN LOADS. SIZES AND SPACING OF PURLINS TO BE DETERMINED DURING FINAL DESIGN.

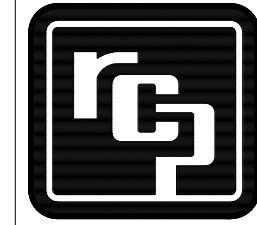
RCP SHELTERS, INC.

2100 SE RAYS WAY STUART, FL 34994 PO BOX 25 STUART, FL 34995-0025

SHELTERS PAVILIONS CONCESSIONS KIOSKS FABRIC SHADE
 RESTROOMS BANDSHELLS MINI-SHELTERS DUGOUTS FABRIC SAIL

Phone 800-525-0207 Fax 772-288-0207

www.rcpselters.com Email info@rcpselters.com



PROJ. NO.:

DRAWN: CMM 8-14-07

CHK'D: JLD

REV 1:

REV 2:

REV 3:

REV 4:

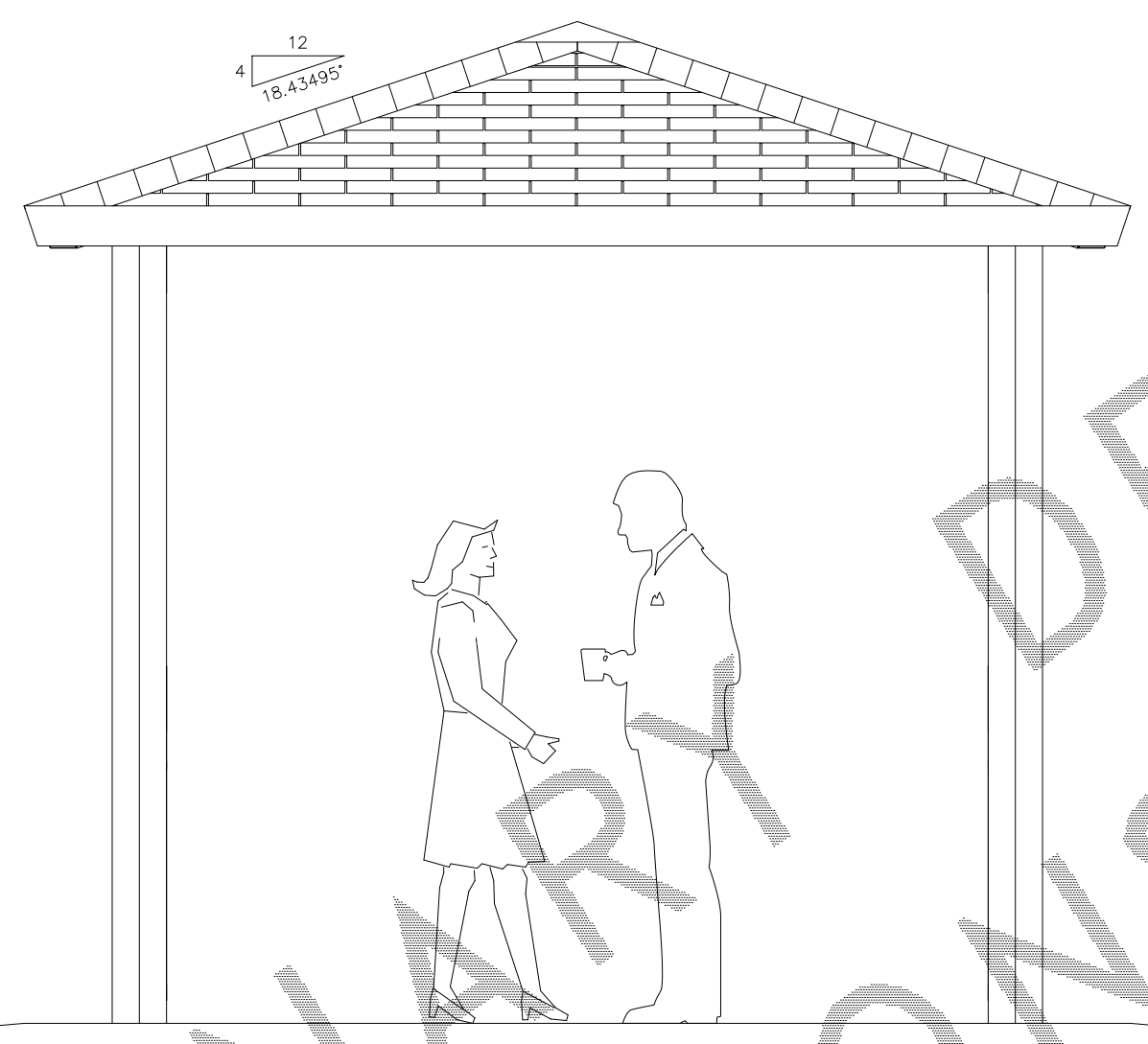
REV 5:

CAD NO.: SLF-12-04

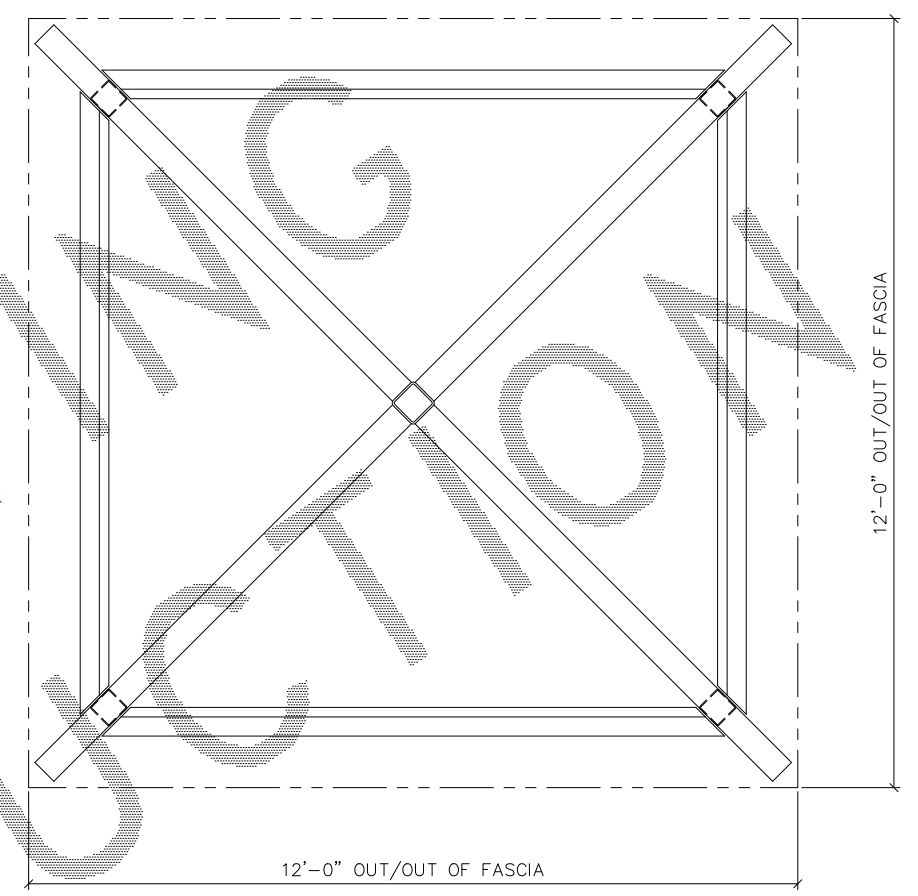
ECC JOB NO.: 6537 F

SHEET NO.:

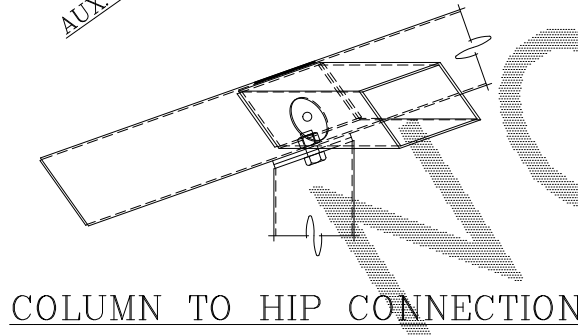
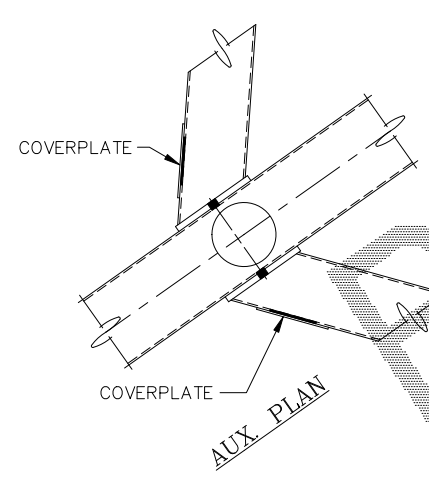
1X OF 1X



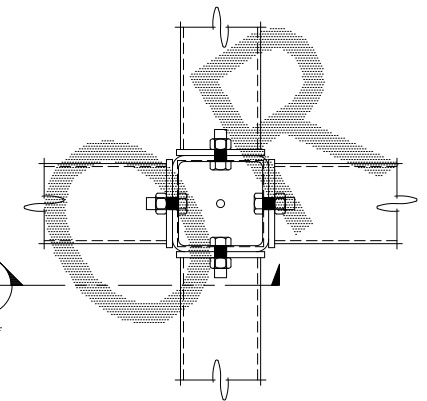
ELEVATION



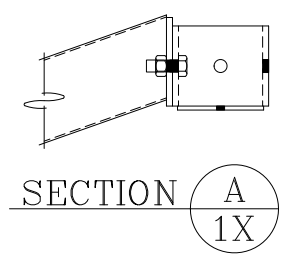
ROOF FRAMING PLAN



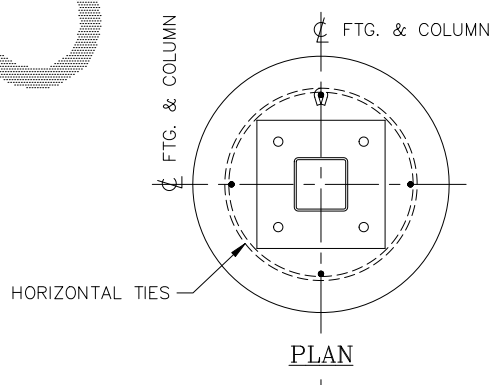
COLUMN TO HIP CONNECTION



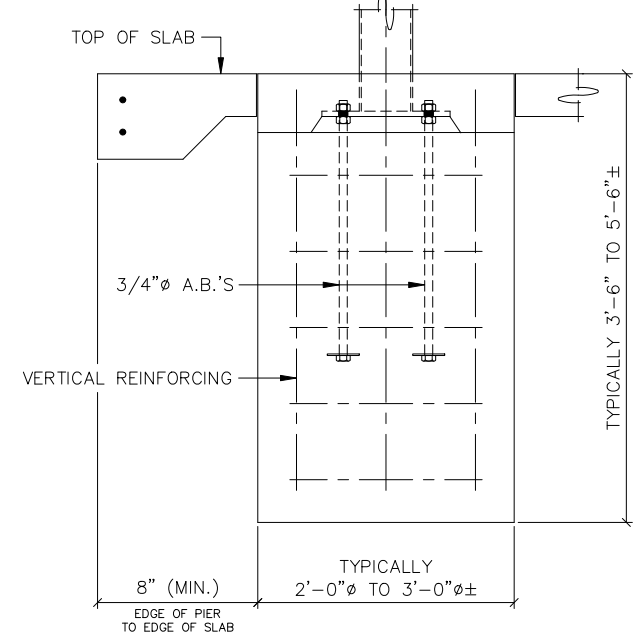
PEAK CONNECTION



SECTION A 1X

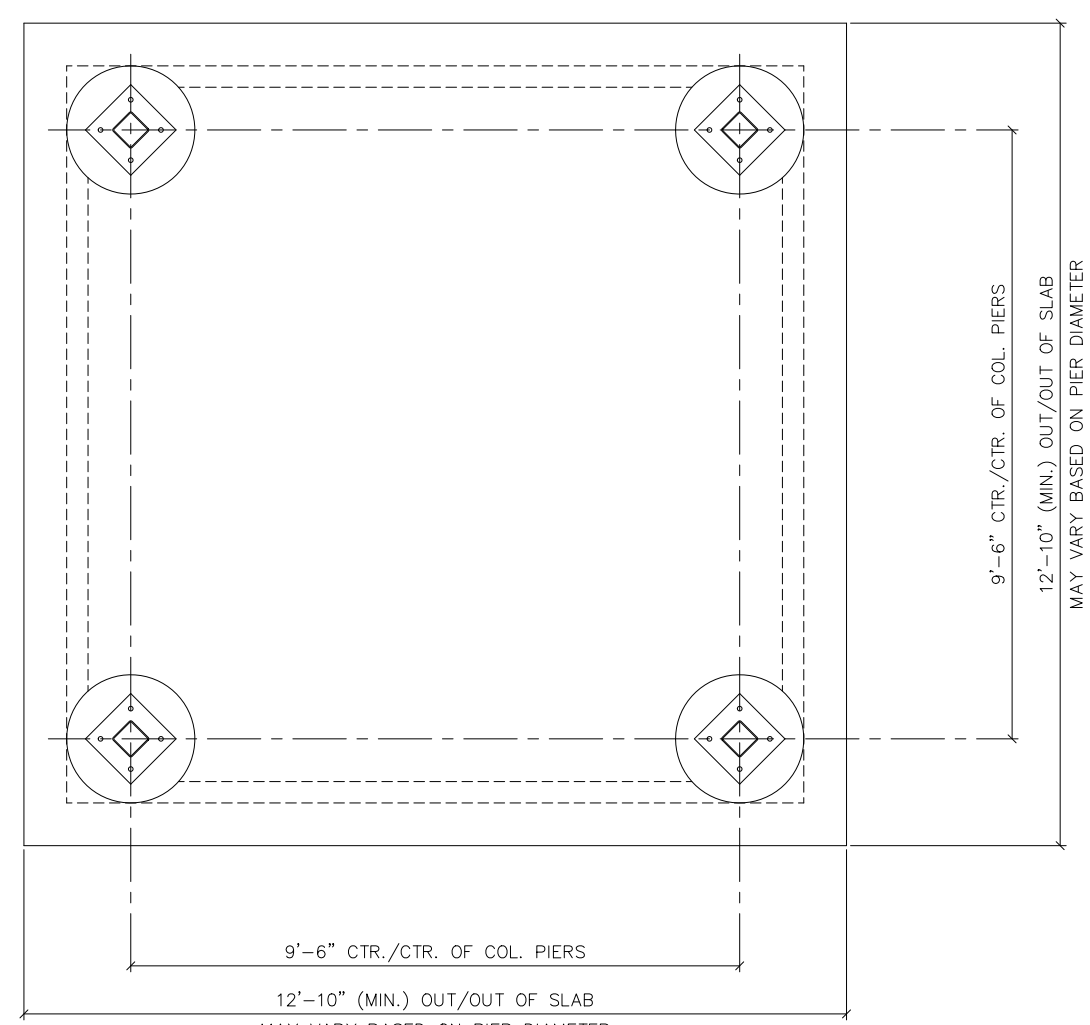


PLAN



COLUMN PIER DETAIL

ACTUAL DESIGN WILL VARY DUE TO BUILDING CODE REQUIREMENTS AND MAY BE SUBSTANTIALLY LARGER



FOUNDATION PLAN