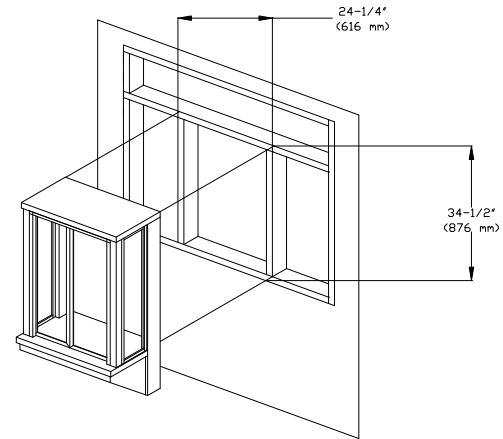
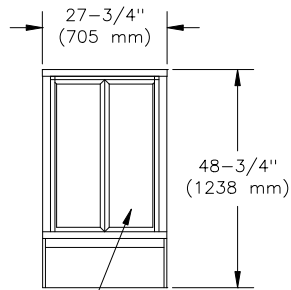
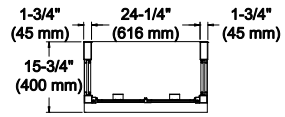


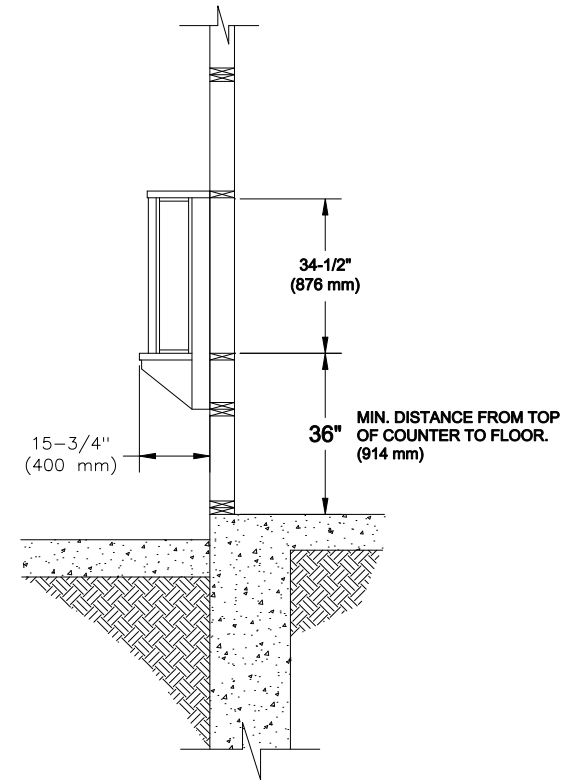
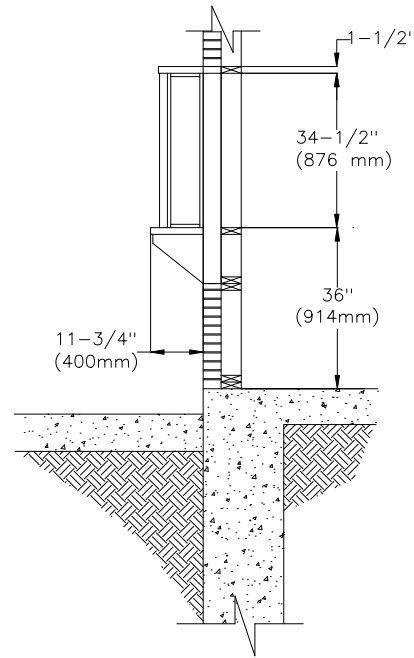
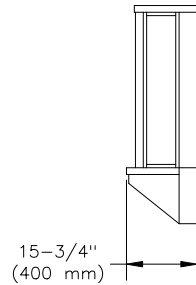
**MASONRY WALL
ROUGH OPENING**



**GLASS STORE FRONT
DAYLIGHT OPENING**



19\"/>



GLAZING ROUGH OPENING = 24-1/4\"/>