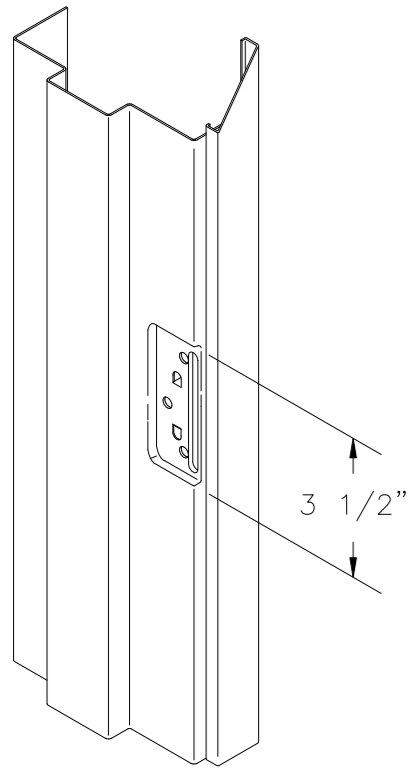
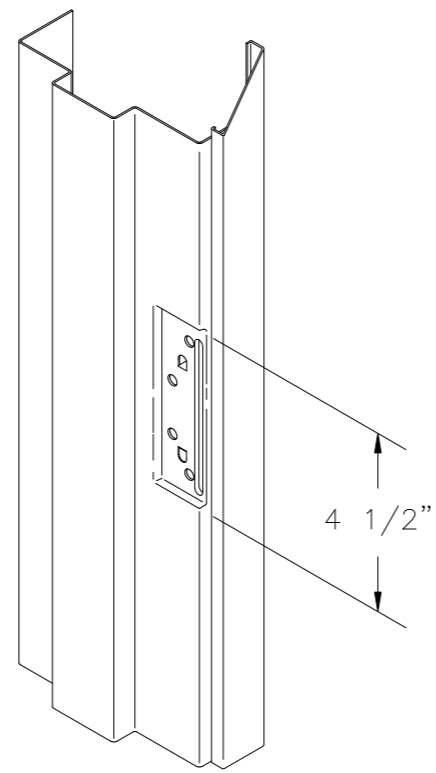


STRIKE & HINGE EMBOSS OPTIONS



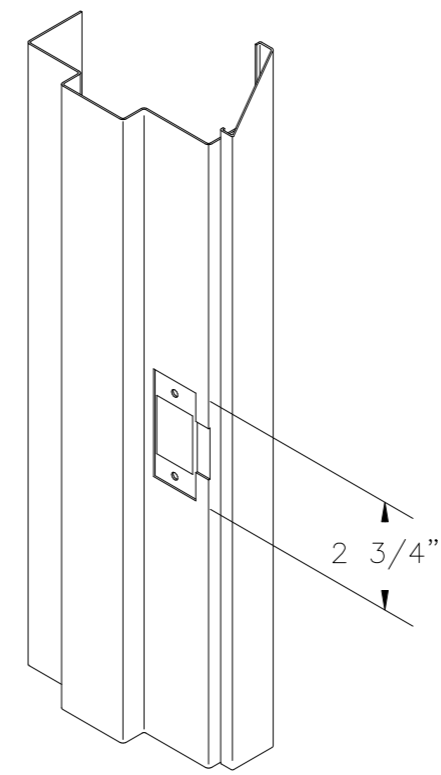
3 1/2" X 1/4" RADIUS
TEMPLATE PATTERN

9/32" (7.14) BACKSET
.120" (3.05) DEPTH

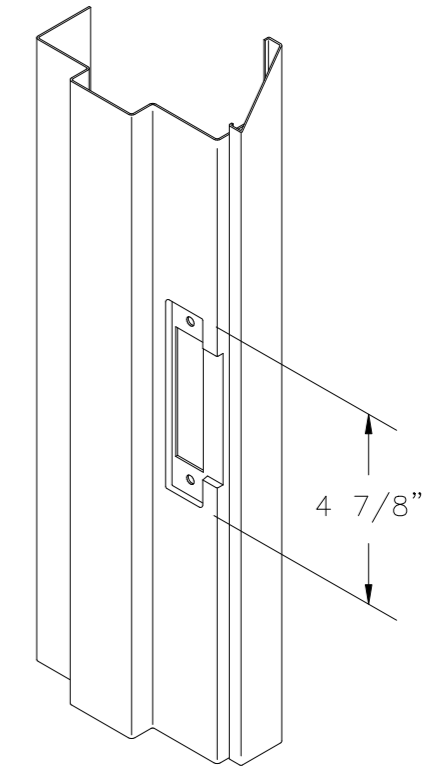


4 1/2" SQUARE
TEMPLATE PATTERN

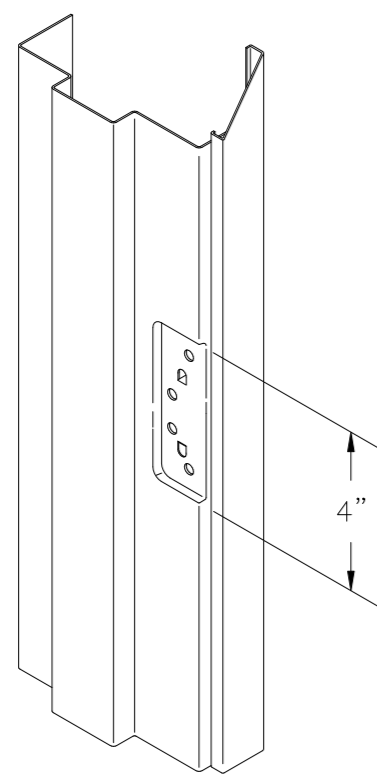
3/8" (9.53) BACKSET
.134 (3.40) DEPTH



1 3/4 DOOR
STANDARD STRIKE
.110" (2.79) DEPTH
#8-32 SELF TAPPING SCREW

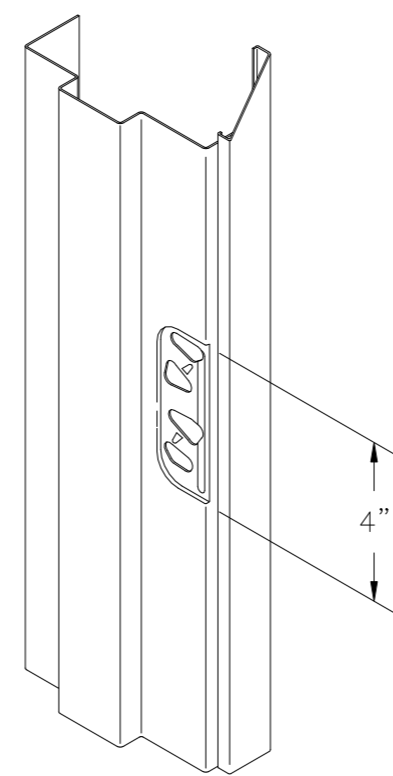


ADJUSTABLE ANSI STRIKE
(1 3/4 DOOR ONLY)
.125" (3.18) DEPTH
#12-24 MACHINE SCREW

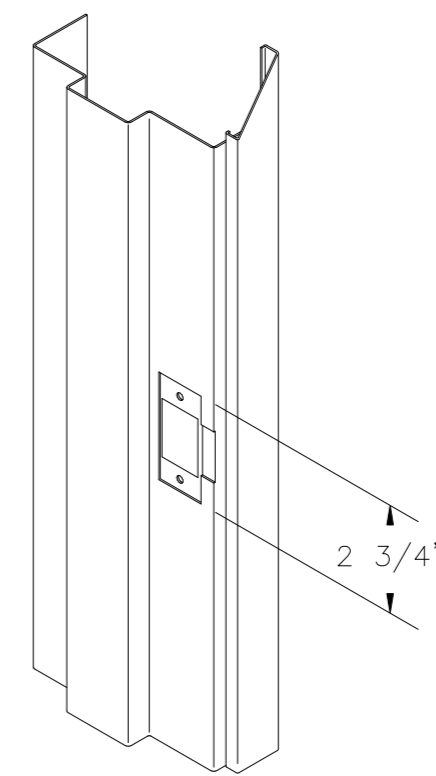


4" X 1/4" RADIUS
TEMPLATE PATTERN

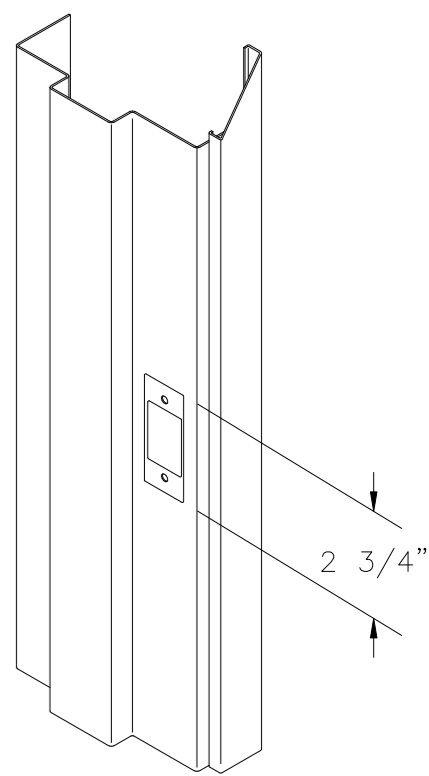
3/8" (9.53) BACKSET
.125" (3.18) DEPTH



4" X 5/8" RADIUS
TEMPLATE OR
NON TEMPLATE PATTERN
3/8" (9.53) DEPTH
.120 (3.05) DEPTH



1 3/8 DOOR
STANDARD STRIKE
.110" (2.79) DEPTH
#8-32 SELF TAPPING SCREW



DEADBOLT STRIKE
(1 3/4 DOOR ONLY)
.110" (2.79) DEPTH
#8-32 SELF TAPPING SCREW