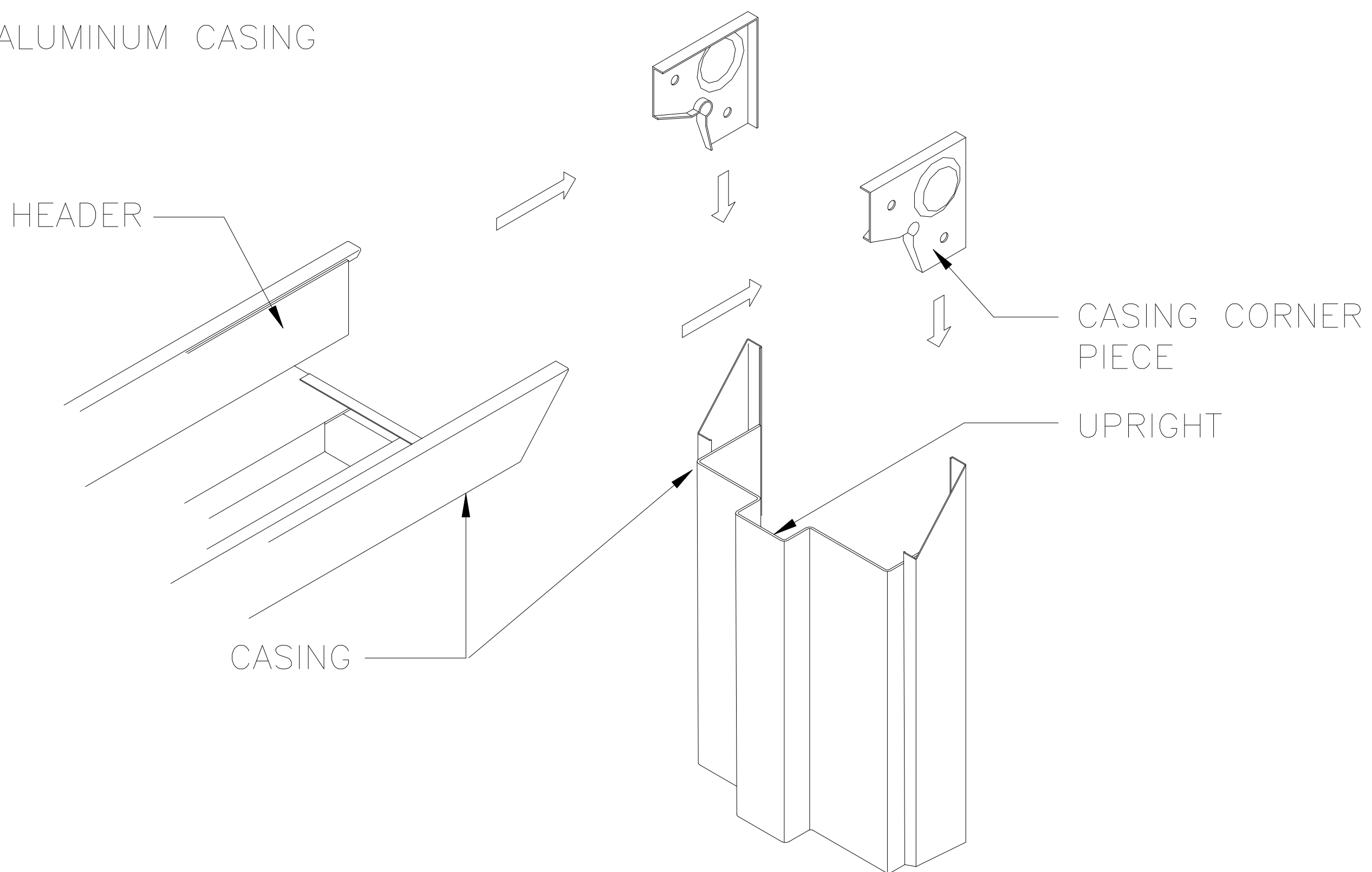


CASING CORNER ATTACHMENT

STEEL OR ALUMINUM CASING



S-56 CASING

