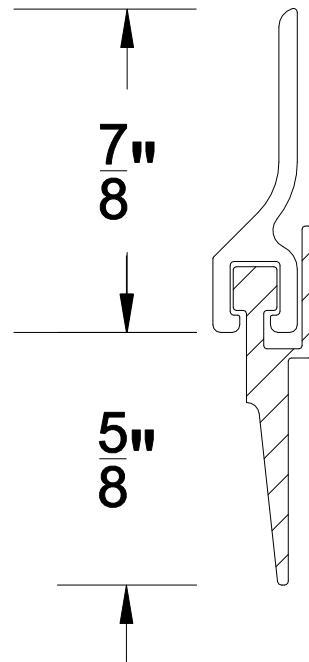



REVISIONS			
REV	DESCRIPTION	DATE	APPROVED




Vinyl

		PART NO. M35	
DATE	9/29/17	DRAWN BY	PJK
		APPROVED	
SCALE	2:1	INSERT MATERIAL	Vinyl (Black)
		ALUMINUM ALLOY 6063 T-5	