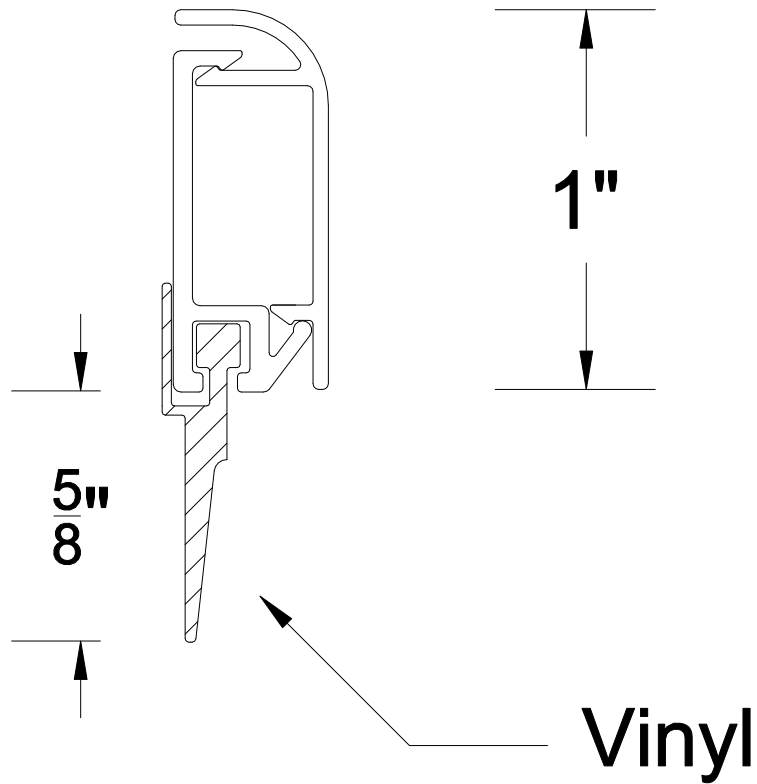


REVISIONS			
REV	DESCRIPTION	DATE	APPROVED



		PART NO. 810	
DATE	10/9/17	DRAWN BY	PJK
		APPROVED	
SCALE	2:1	INSERT MATERIAL	Vinyl
		ALUMINUM ALLOY 6063 T-5	