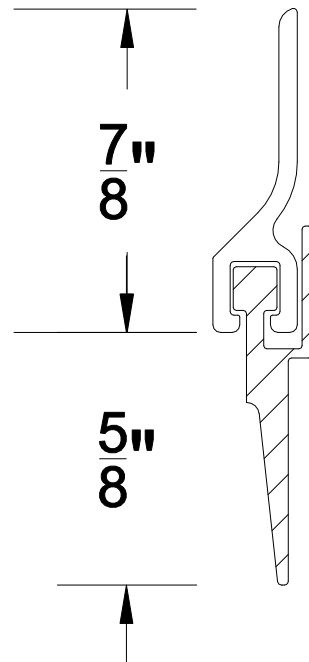


REVISIONS			
REV	DESCRIPTION	DATE	APPROVED



← Vinyl

		PART NO. <b>M15</b>	
DATE	9/29/17	DRAWN BY	PJK APPROVED
SCALE	2:1	INSERT MATERIAL	Vinyl (Grey)
		ALUMINUM ALLOY	6063 T-5