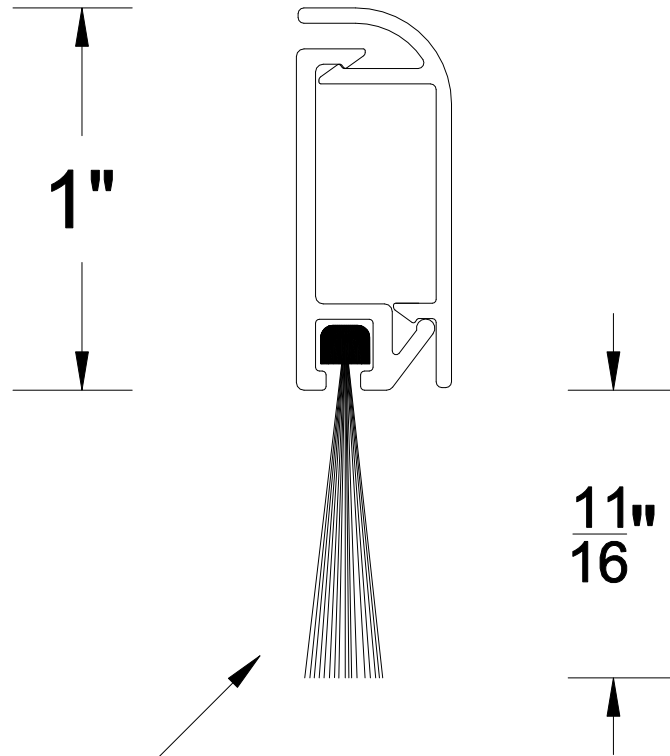


REVISIONS			
REV	DESCRIPTION	DATE	APPROVED



Nylon Brush

<b>Reese</b> WEATHERSTRIPS & THRESHOLDS		PART NO. <b>955</b>
DATE 10/13/17	DRAWN BY PJK	APPROVED
SCALE 2:1	INSERT MATERIAL Nylon Brush	ALUMINUM ALLOY 6063 T-5