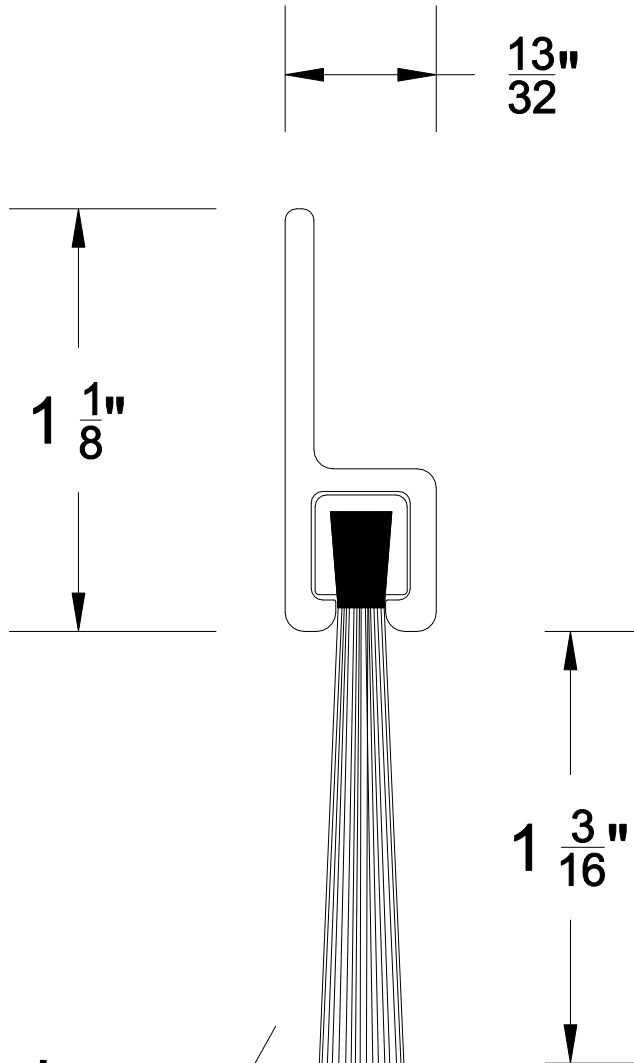


REVISIONS			
REV	DESCRIPTION	DATE	APPROVED



Nylon Brush

Reese <small>WEATHERSTRIPS & THRESHOLDS</small>		PART NO. 962	
DATE 2/2/18	DRAWN BY PJK	APPROVED	
SCALE 2:1	INSERT MATERIAL Nylon Brush	ALUMINUM ALLOY 6063 T-5	