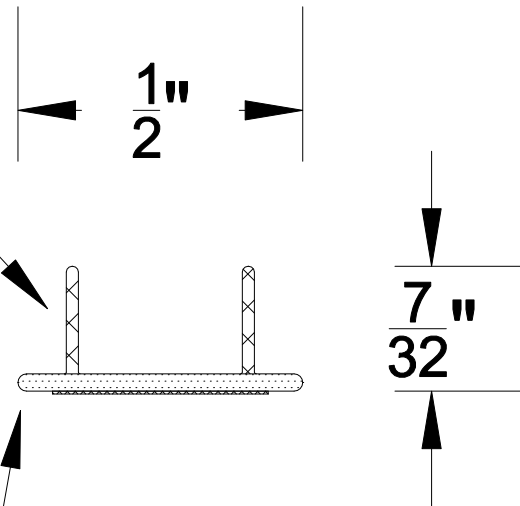


REVISIONS			
REV	DESCRIPTION	DATE	APPROVED

Polyprene
Thermoplastic
Rubber

TPP Base



Reese <small>WEATHERSTRIPS & THRESHOLDS</small>		PART NO. 792	
DATE 2/2/18	DRAWN BY PJK		APPROVED
SCALE 3:1	INSERT MATERIAL TPP & Polyprene	ALUMINUM ALLOY N/A	