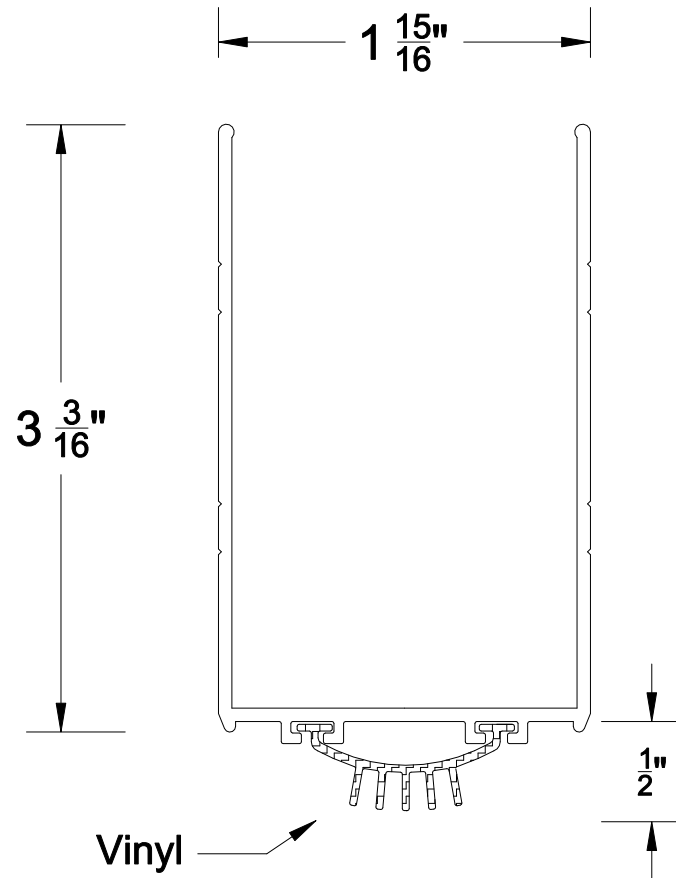


REVISIONS			
REV	DESCRIPTION	DATE	APPROVED



Reese WEATHERSTRIPS & THRESHOLDS		PART NO. DB600	
DATE 2/5/18	DRAWN BY PJK		APPROVED
SCALE 1:1	INSERT MATERIAL Vinyl	ALUMINUM ALLOY 6063 T-5	