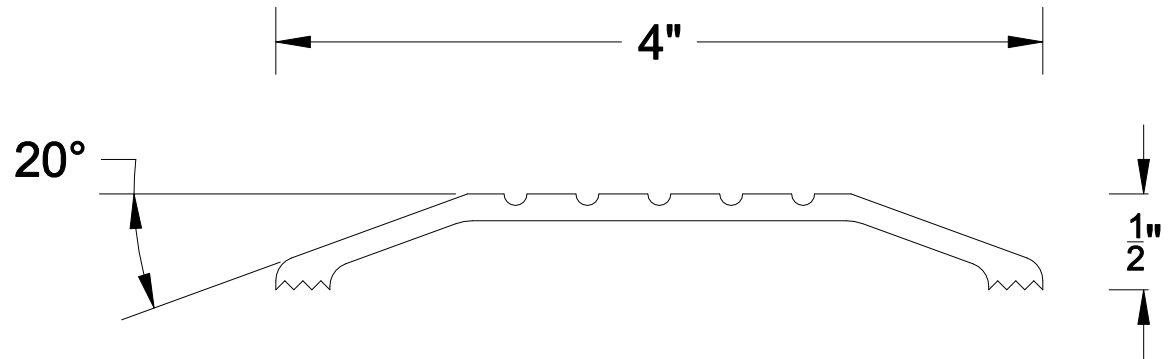



REVISIONS			
REV	DESCRIPTION	DATE	APPROVED



		PART NO. S204	
DATE	1/30/18	DRAWN BY	PJK
SCALE	1:1	INSERT MATERIAL	N/A
		APPROVED ALUMINUM ALLOY 6063 T-5	