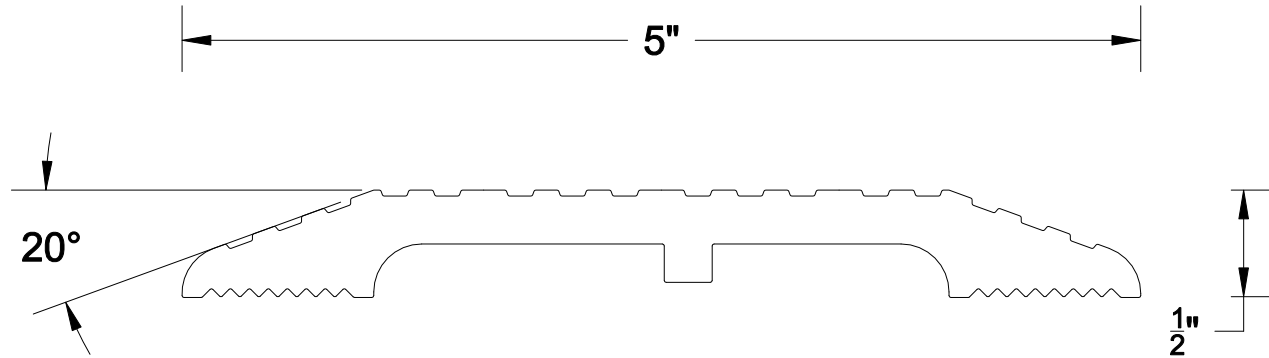



REVISIONS			
REV	DESCRIPTION	DATE	APPROVED



		PART NO. HD5A
DATE 2/22/18	DRAWN BY PJK	APPROVED
SCALE 1:1	INSERT MATERIAL N/A	ALUMINUM ALLOY 6063 T-5