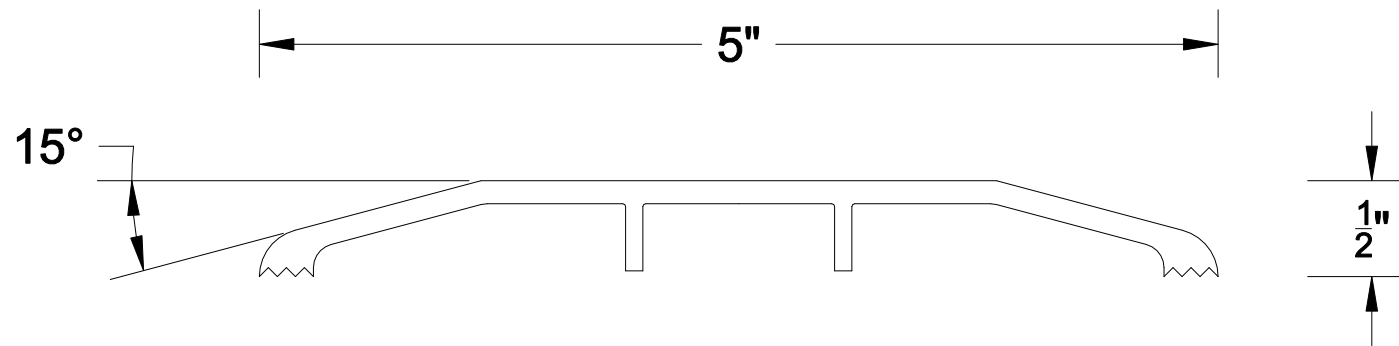


REVISIONS			
REV	DESCRIPTION	DATE	APPROVED



Reese WEATHERSTRIPS & THRESHOLDS		PART NO. S105	
DATE 2/8/18	DRAWN BY PJK		APPROVED
SCALE 1:1	INSERT MATERIAL N/A	ALUMINUM ALLOY 6063 T-5	