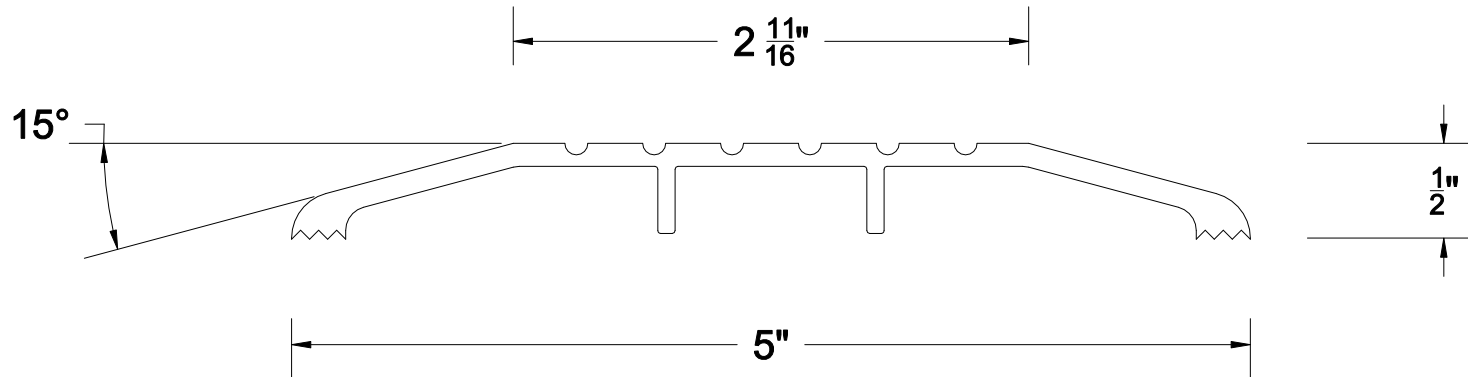


REVISIONS			
REV	DESCRIPTION	DATE	APPROVED



<b>Reese</b> WEATHERSTRIPS & THRESHOLDS		PART NO. <b>S205</b>	
DATE 9/27/17	DRAWN BY PJK	APPROVED	
SCALE 1:1	INSERT MATERIAL N/A	ALUMINUM ALLOY 6063 T-5	