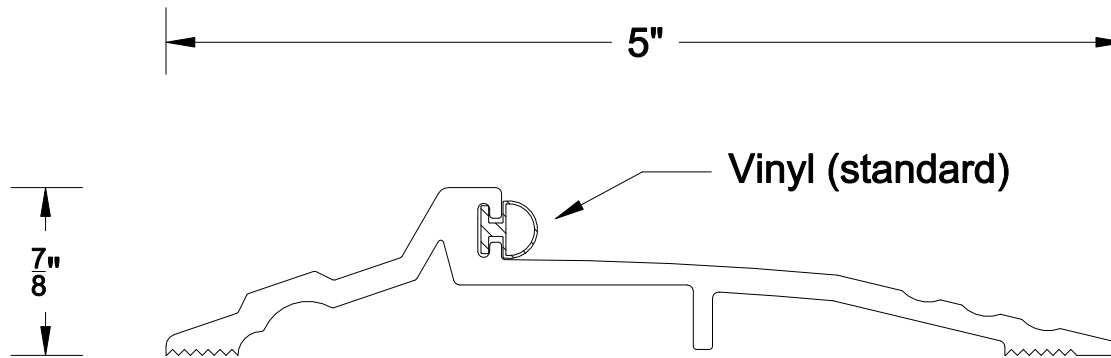


REVISIONS			
REV	DESCRIPTION	DATE	APPROVED




Insert Options

V- Vinyl (standard)

U- Polyurethane

PR- Polyprene Thermoplastic Rubber

P- Pile

		PART NO. <b>S487</b>	
DATE 1/31/18	DRAWN BY PJK		APPROVED
SCALE 1:1	INSERT MATERIAL Vinyl (standard)	ALUMINUM ALLOY 6063 T-5	