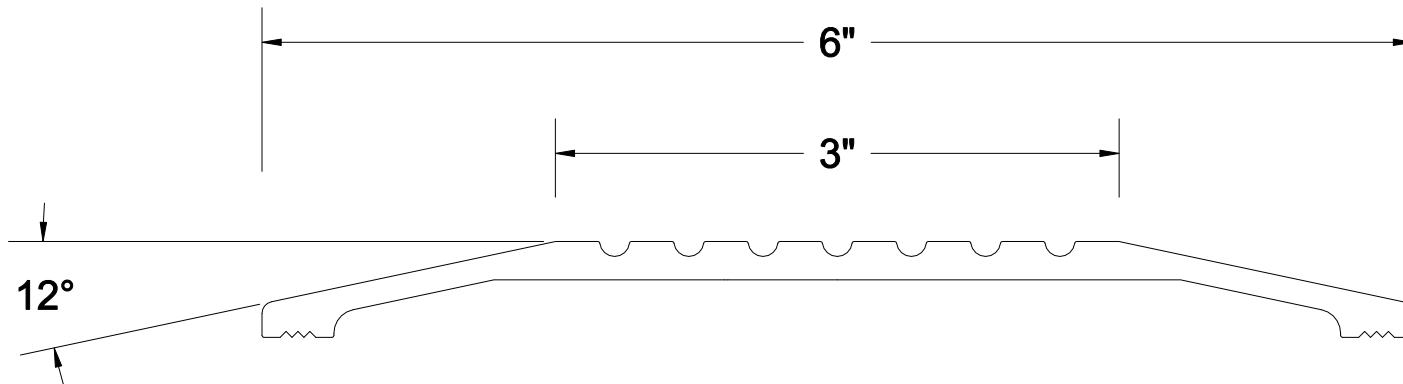



REVISIONS			
REV	DESCRIPTION	DATE	APPROVED



		PART NO. S206	
DATE	9/29/17	DRAWN BY	PJK
		APPROVED	
SCALE	1:1	INSERT MATERIAL	N/A
		ALUMINUM ALLOY 6063 T-5	