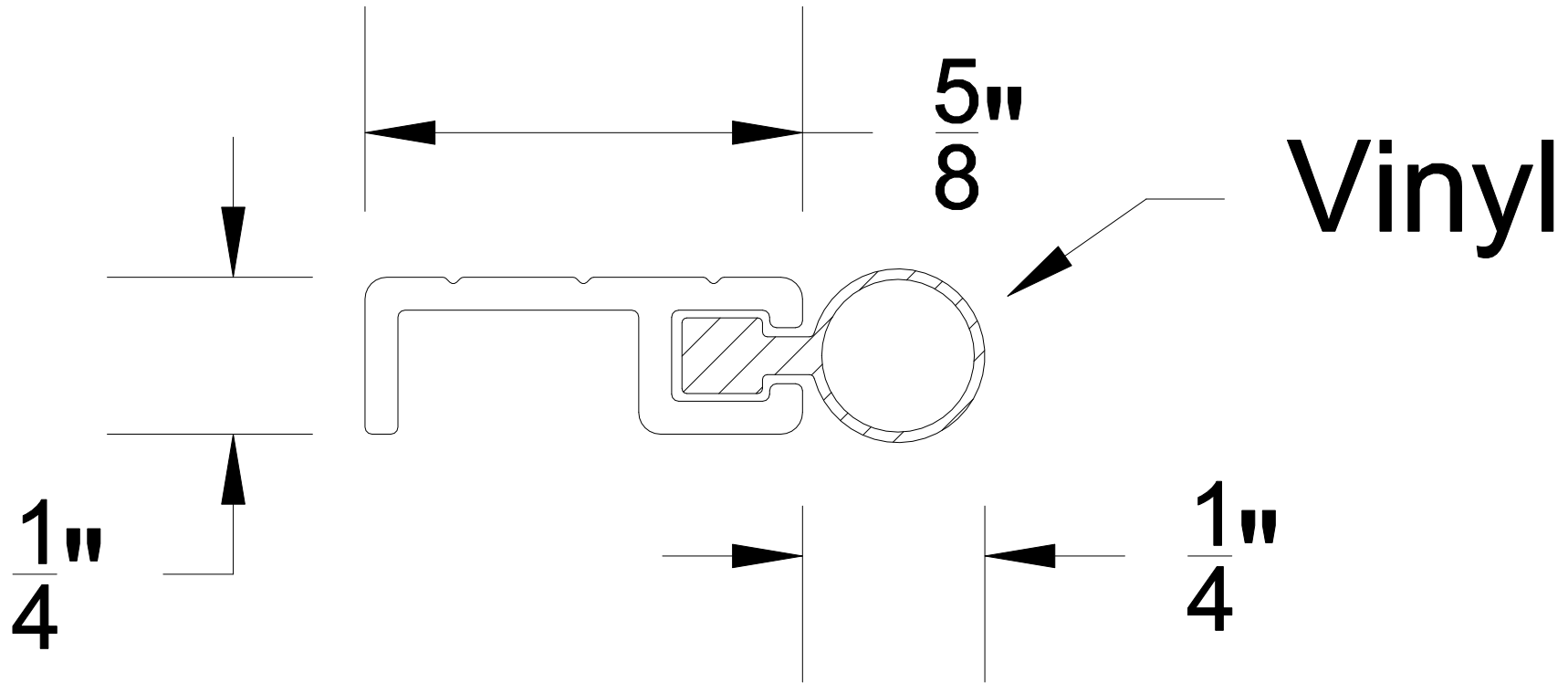


REVISIONS			
REV	DESCRIPTION	DATE	APPROVED



		PART NO. DS75
DATE 9/28/17	DRAWN BY PJK	APPROVED
SCALE 4:1	INSERT MATERIAL VINYL	ALUMINUM ALLOY 6063 T-5