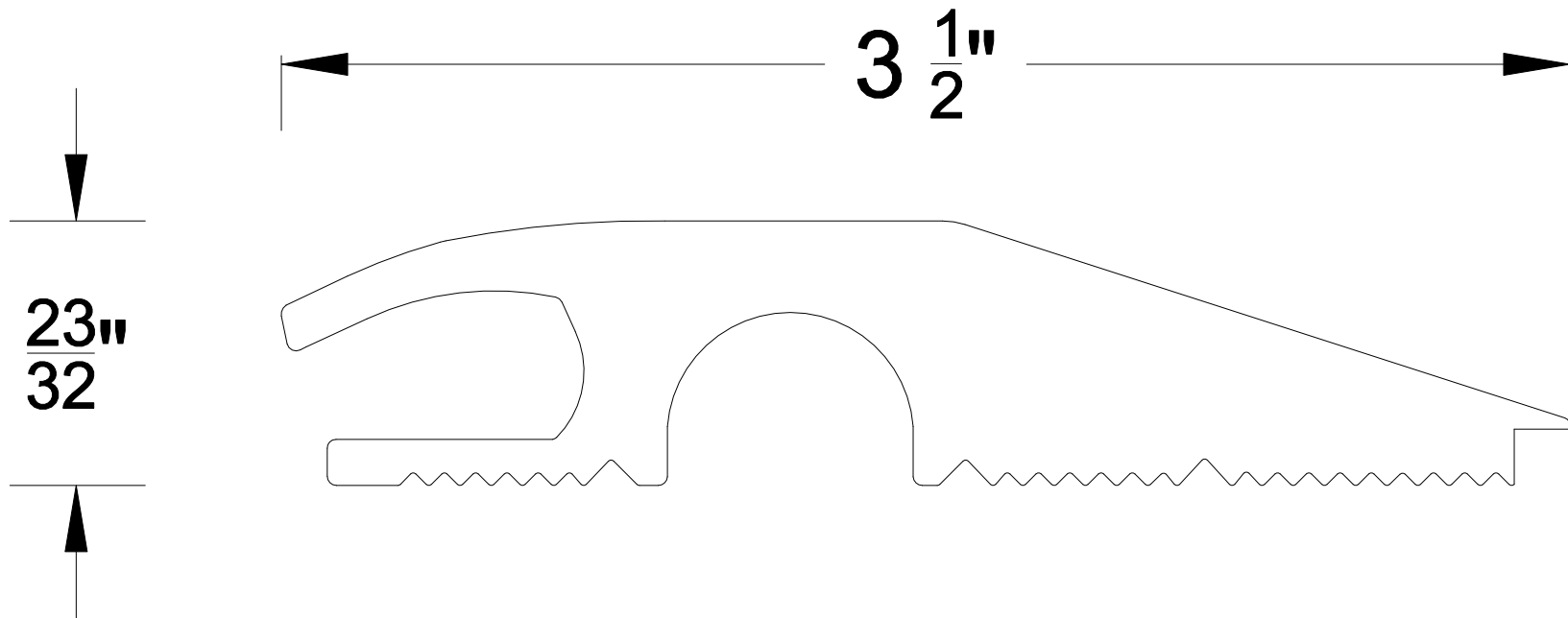


REVISIONS			
REV	DESCRIPTION	DATE	APPROVED



		PART NO. <b>1021</b>	
DATE 9/17/19	DRAWN BY PJK		APPROVED
SCALE 2:1	INSERT MATERIAL Semi-Rigid PVC	ALUMINUM ALLOY N/A	