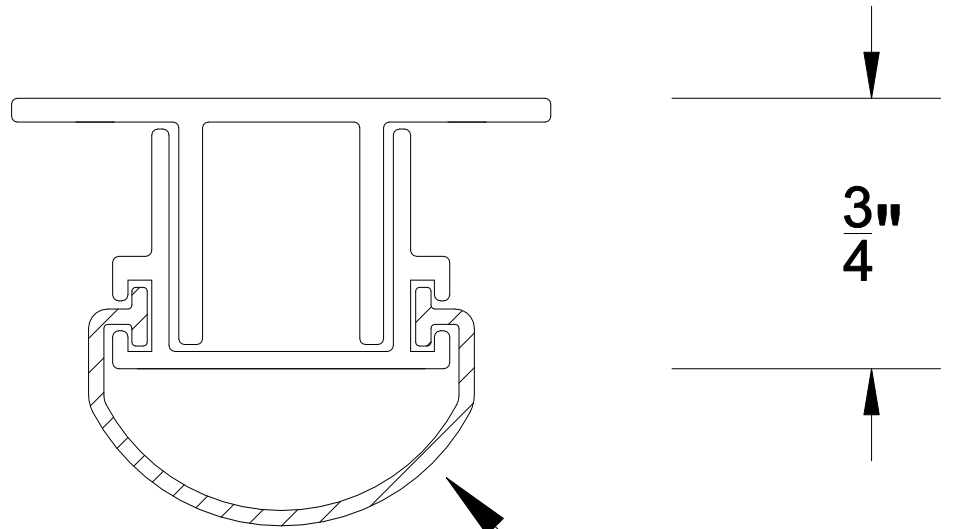



REVISIONS			
REV	DESCRIPTION	DATE	APPROVED



Vinyl

		PART NO. <b>372</b>	
DATE	2/9/18	DRAWN BY	PJK
		APPROVED	
SCALE	2:1	INSERT MATERIAL	Vinyl
		ALUMINUM ALLOY 6063 T-5	