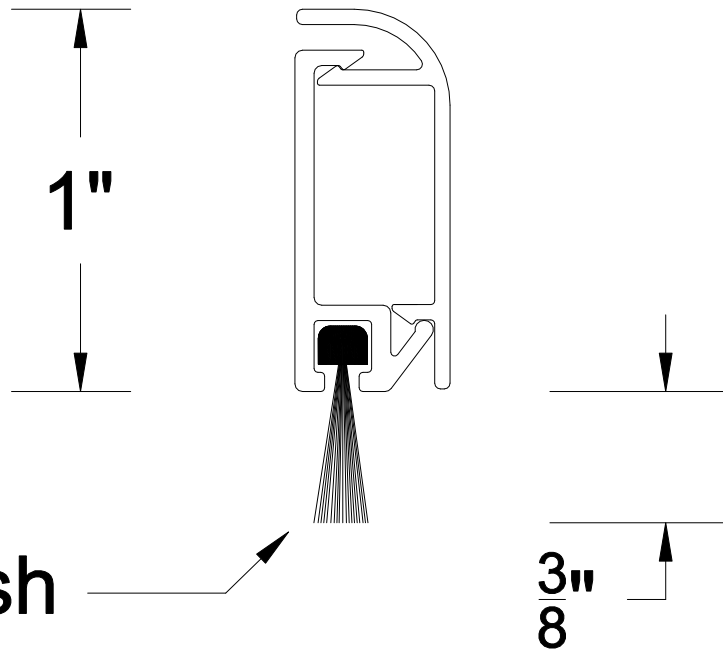


REVISIONS			
REV	DESCRIPTION	DATE	APPROVED



Nylon Brush

Reese WEATHERSTRIPS & THRESHOLDS		PART NO. 954
DATE 10/13/17	DRAWN BY PJK	APPROVED
SCALE 2:1	INSERT MATERIAL Nylon Brush	ALUMINUM ALLOY 6063 T-5