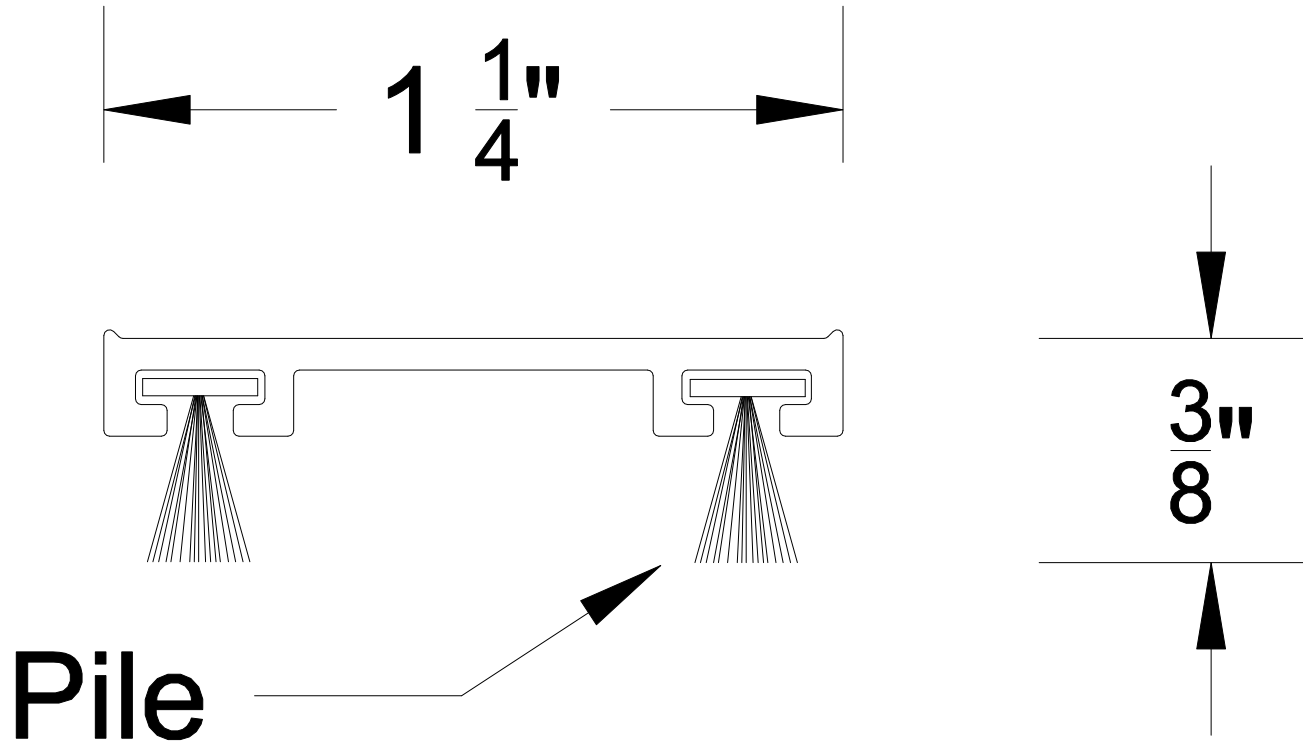


REVISIONS			
REV	DESCRIPTION	DATE	APPROVED



Reese <small>WEATHERSTRIPS & THRESHOLDS</small>		PART NO. DB591P	
DATE 12/11/17	DRAWN BY PJK		APPROVED
SCALE 3:1	INSERT MATERIAL Pile	ALUMINUM ALLOY 6063 T-5	