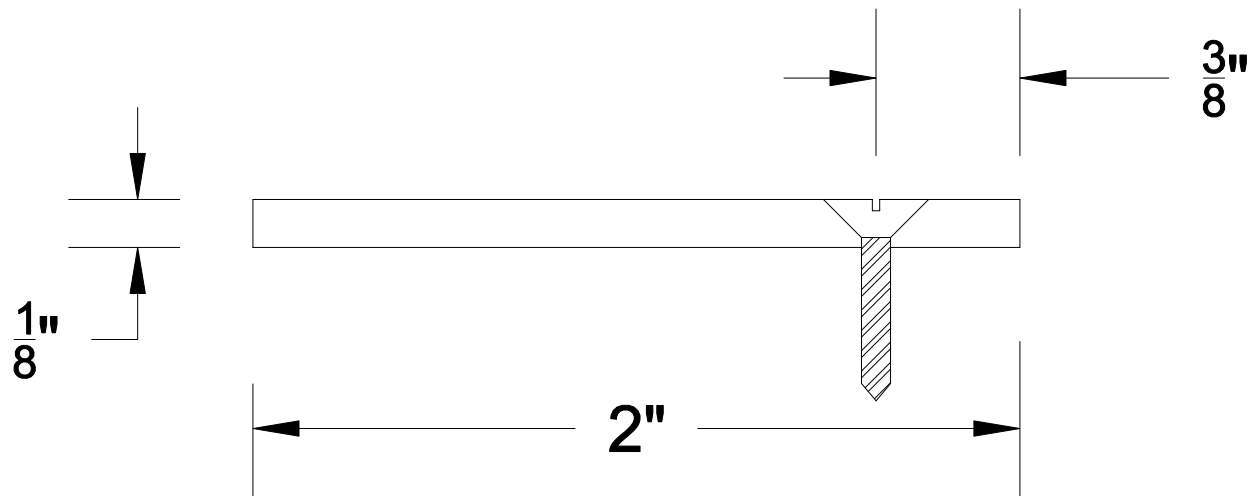


REVISIONS			
REV	DESCRIPTION	DATE	APPROVED



SP= Steel, Gray Prime
 SS= Stainless Steel

Reese WEATHERSTRIPS & THRESHOLDS		PART NO. 183	
DATE 2/8/18	DRAWN BY PJK	APPROVED	
SCALE 2:1	INSERT MATERIAL N/A	ALUMINUM ALLOY N/A	