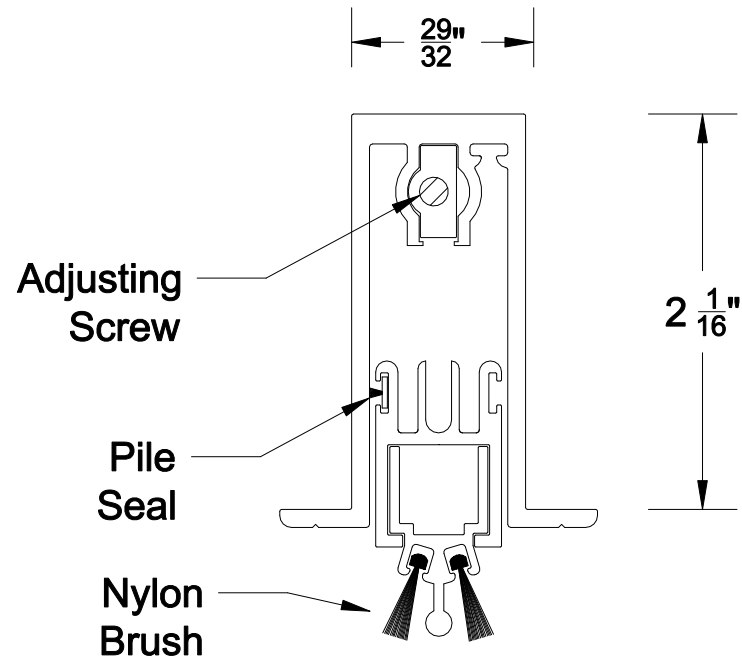


REVISIONS			
REV	DESCRIPTION	DATE	APPROVED



Reese WEATHERSTRIPS & THRESHOLDS		PART NO. 943	
DATE 12/20/17	DRAWN BY PJK	APPROVED	
SCALE 1:1	INSERT MATERIAL Nylon Brush	ALUMINUM ALLOY 6063 T-5	