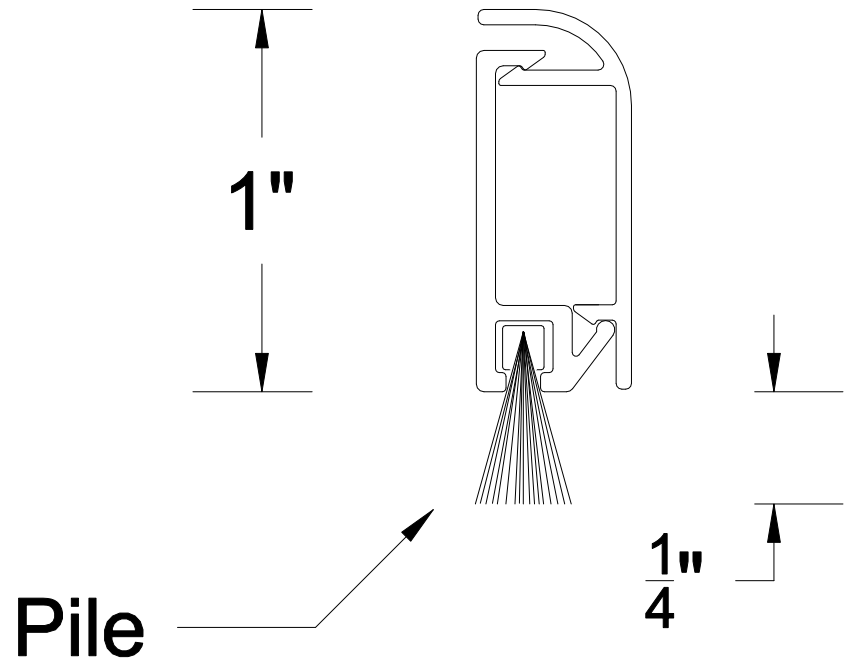


REVISIONS			
REV	DESCRIPTION	DATE	APPROVED



Reese WEATHERSTRIPS & THRESHOLDS		PART NO. 129P	
DATE 10/13/17	DRAWN BY PJK	APPROVED	
SCALE 2:1	INSERT MATERIAL Pile	ALUMINUM ALLOY 6063 T-5	