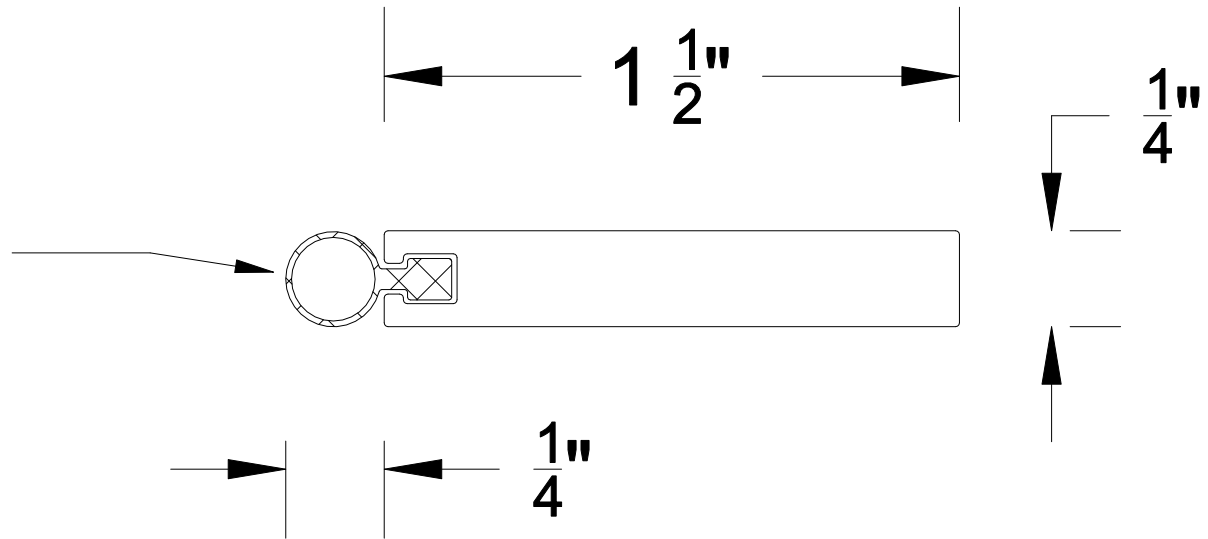


REVISIONS			
REV	DESCRIPTION	DATE	APPROVED

Polyprene  
Thermoplastic  
Rubber



<b>Reese</b> <small>WEATHERSTRIPS &amp; THRESHOLDS</small>		PART NO. <b>755</b>
DATE 2/5/18	DRAWN BY PJK	APPROVED
SCALE 2:1	INSERT MATERIAL Polyprene	ALUMINUM ALLOY 6063 T-5