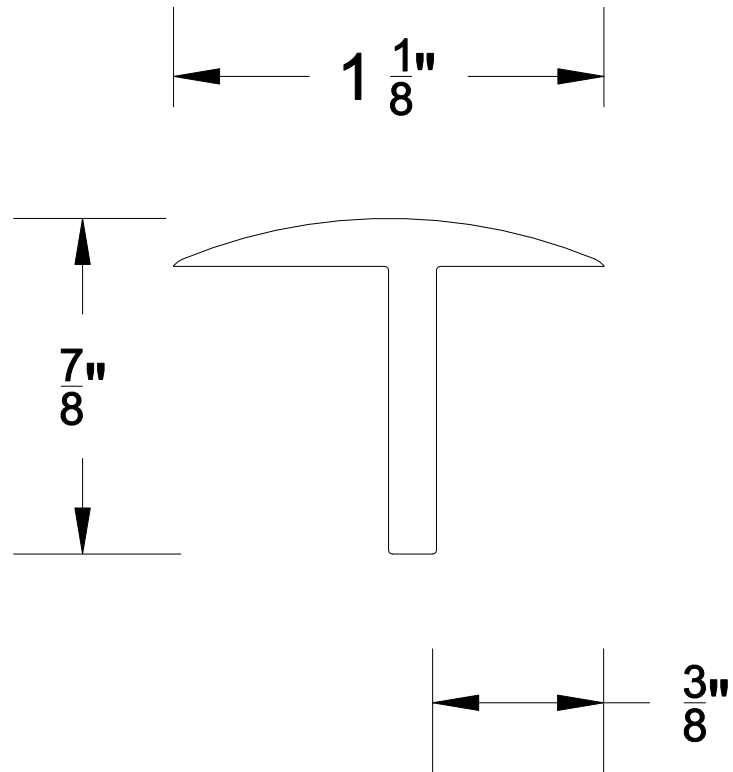



REVISIONS			
REV	DESCRIPTION	DATE	APPROVED



		PART NO. 184	
DATE	2/8/18	DRAWN BY	PJK
SCALE	2:1	INSERT MATERIAL	N/A
		APPROVED ALUMINUM ALLOY 6063 T-5	