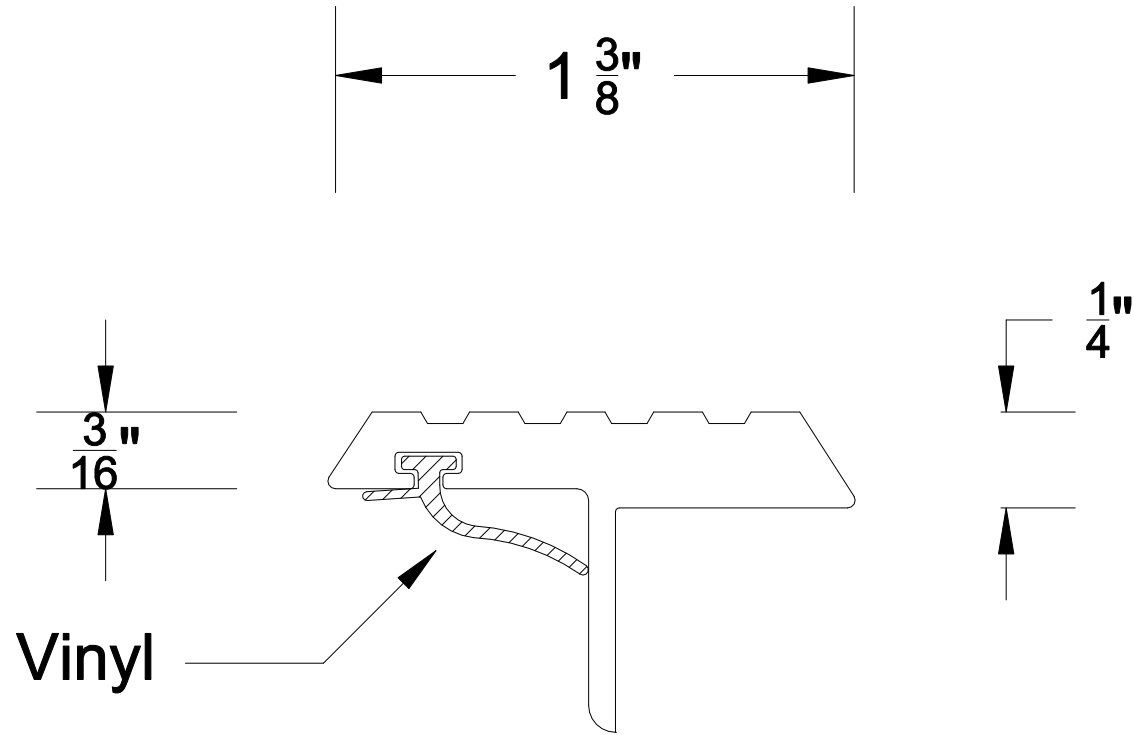


REVISIONS			
REV	DESCRIPTION	DATE	APPROVED



Reese WEATHERSTRIPS & THRESHOLDS		PART NO. 276	
DATE 2/9/18	DRAWN BY PJK	APPROVED	
SCALE 2:1	INSERT MATERIAL Vinyl	ALUMINUM ALLOY 6063 T-5	