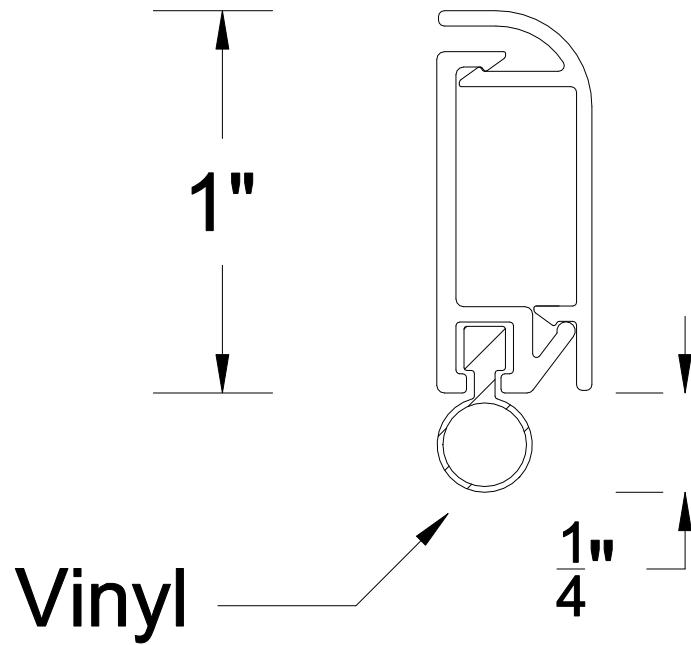


REVISIONS			
REV	DESCRIPTION	DATE	APPROVED



		PART NO. 129V	
DATE	10/13/17	DRAWN BY	PJK
SCALE	2:1	INSERT MATERIAL	Vinyl
		ALUMINUM ALLOY	6063 T-5
		APPROVED	