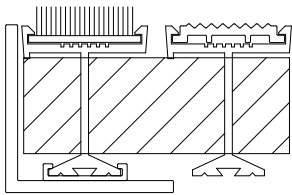


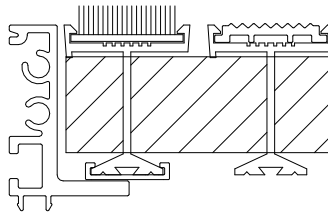
456 / 470 VariStrip Grate with Alternating Serrated Aluminum and Nylon Carpet Inserts

Frame Options:

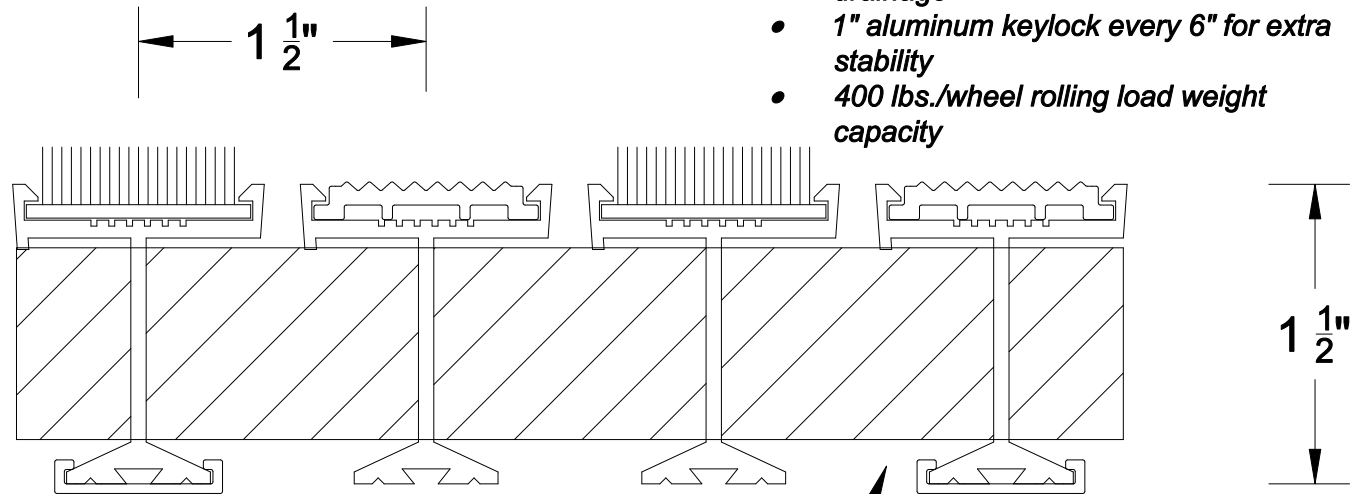
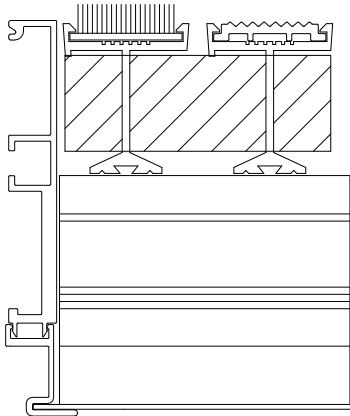
424 aluminum recessed angle



420 aluminum recessed



421 aluminum deep pit (pan optional)



Features:

- Alternating serrated aluminum and nylon carpet inserts to both clean and dry as foot traffic passes over the grate
- 6063 T-5 extruded aluminum rails
- 1 1/2" high rails, making the grate ideal for trapping large amounts of snow, slush, dirt, and mud
- 3/16" gaps between rails for maximum drainage
- 1" aluminum keylock every 6" for extra stability
- 400 lbs./wheel rolling load weight capacity

Finishes:

- Aluminum rails and frames available in mill (standard), clear anodized, dark bronze anodized, and black anodized
- Carpet insert: Manufacturer's standard colors (samples available on request)
- Serrated aluminum inserts available in mill, clear anodized, dark bronze anodized, and black anodized

Aluminum Keylock



Project:

Customer:

Architect: