

4

3

2

1

D

D

C

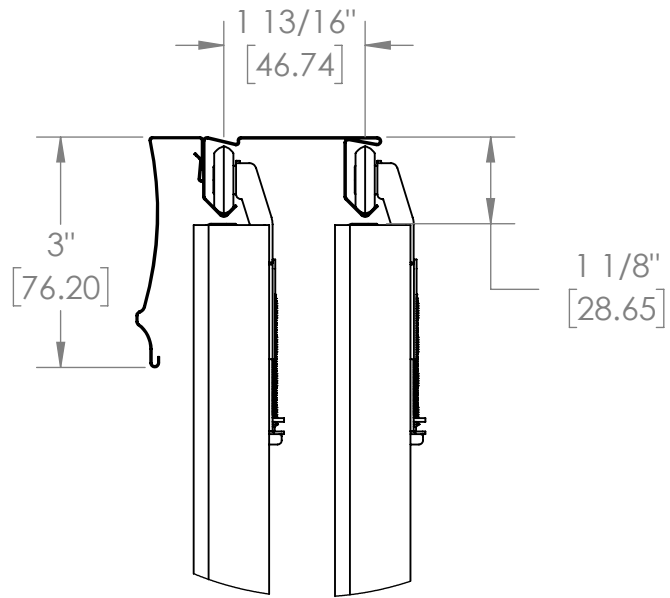
C

B

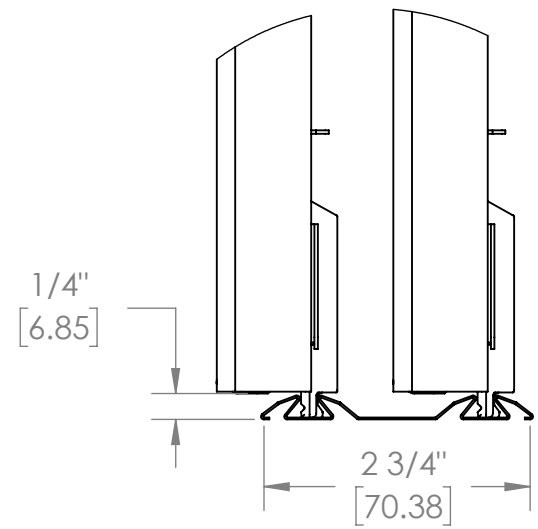
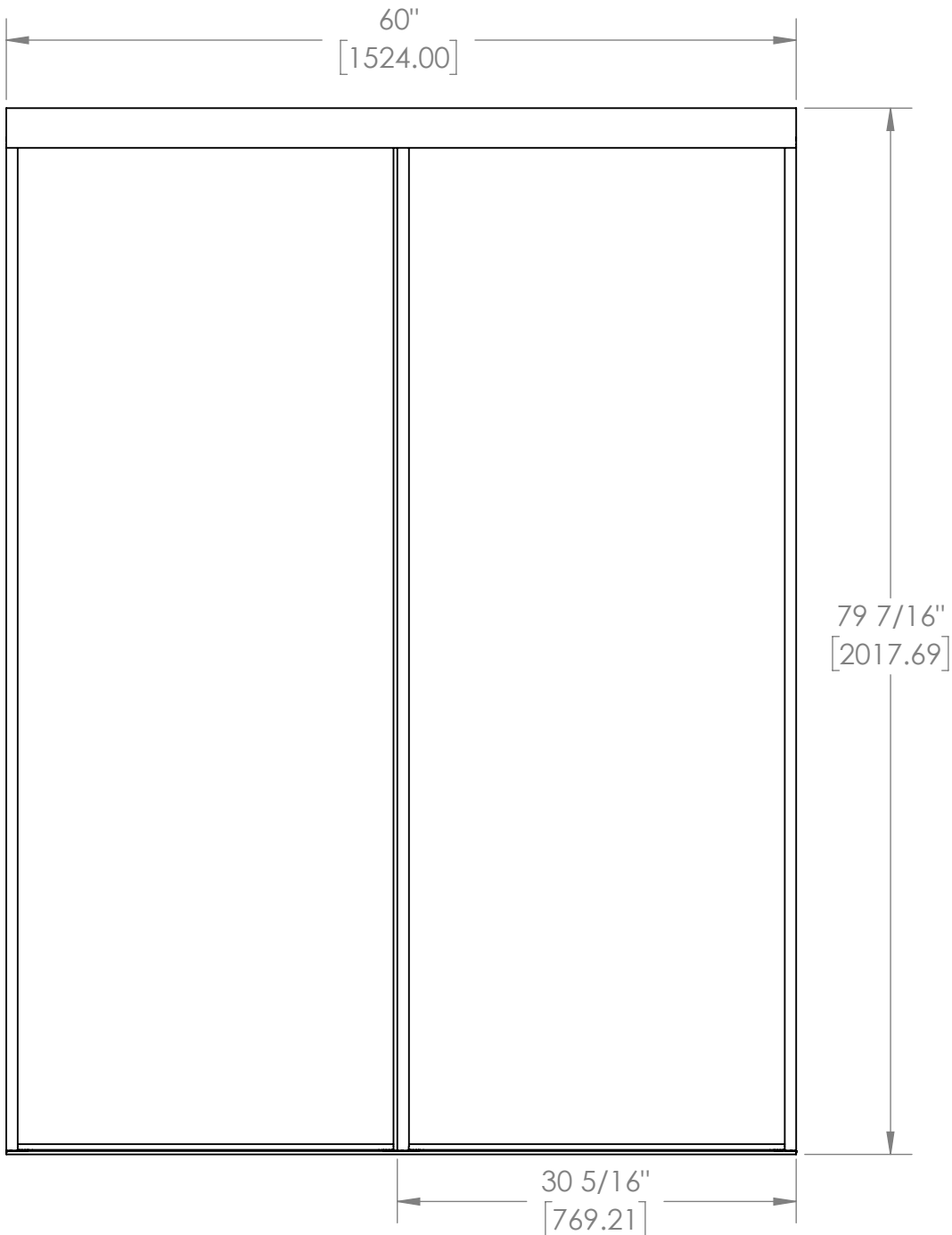
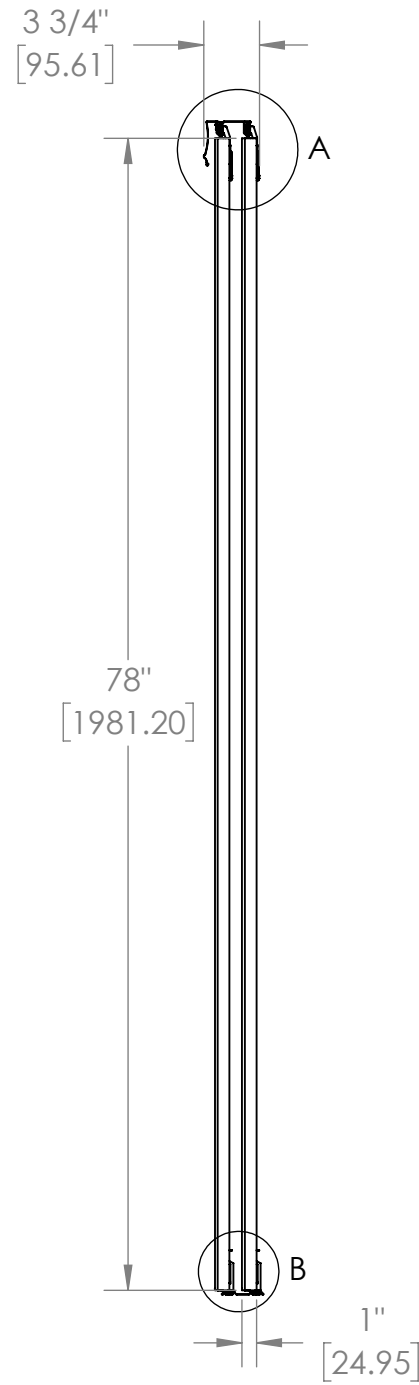
B

A

A



DETAIL A



DETAIL B

UNLESS OTHERWISE SPECIFIED  
DIMENSIONS ARE IN INCHES[MM]  
**TOLERANCES:**  
FRACTIONAL X/XX ±1/64  
2 DECIMAL PLACES .XX" ±.01  
3 DECIMAL PLACES .XXX" ±.005  
ANGLES ±2°  
0 DECIMAL PLACES X.mm ±.5  
1 DECIMAL PLACE .Xmm ±.2  
2 DECIMAL PLACES .XXmm ±.1

	NAME	DATE MDY
<b>DRAWN</b>	MBP	12/11/2025
<b>CHECKED</b>		
<b>ENG APPR.</b>		
<b>MFG APPR.</b>		
<b>Q.A.</b>		

**RENIN** 110 Walker Drive  
Brampton, ON, L6T 4H6

TITLE:  
**60" X 80 1/2" WHITE FRM  
MIR SLD DR**

REV	BY	DATE	ECO#	REVISION
0		12/10/25		DRAWING CREATION

**PROPRIETARY AND CONFIDENTIAL**  
THIS DOCUMENT IS THE SOLE PROPERTY OF RENIN CANADA CORP, AND IS FURNISHED ON THE CONDITION IT IS NOT TO BE DISCLOSED OR REPRODUCED IN WHOLE OR IN PART, OR TO BE USED FOR MANUFACTURING FOR ANYONE OTHER THAN RENIN CANADA CORP, WITHOUT ITS PRIOR WRITTEN CONSENT.

**MATERIAL**  
**FINISH**  
DO NOT SCALE DRAWING

SIZE	DWG. NO.	REV
<b>B</b>	BY0120	<b>0</b>

SCALE: 1 : 1 WEIGHT: SHEET 1 OF 1

4

3

2

1